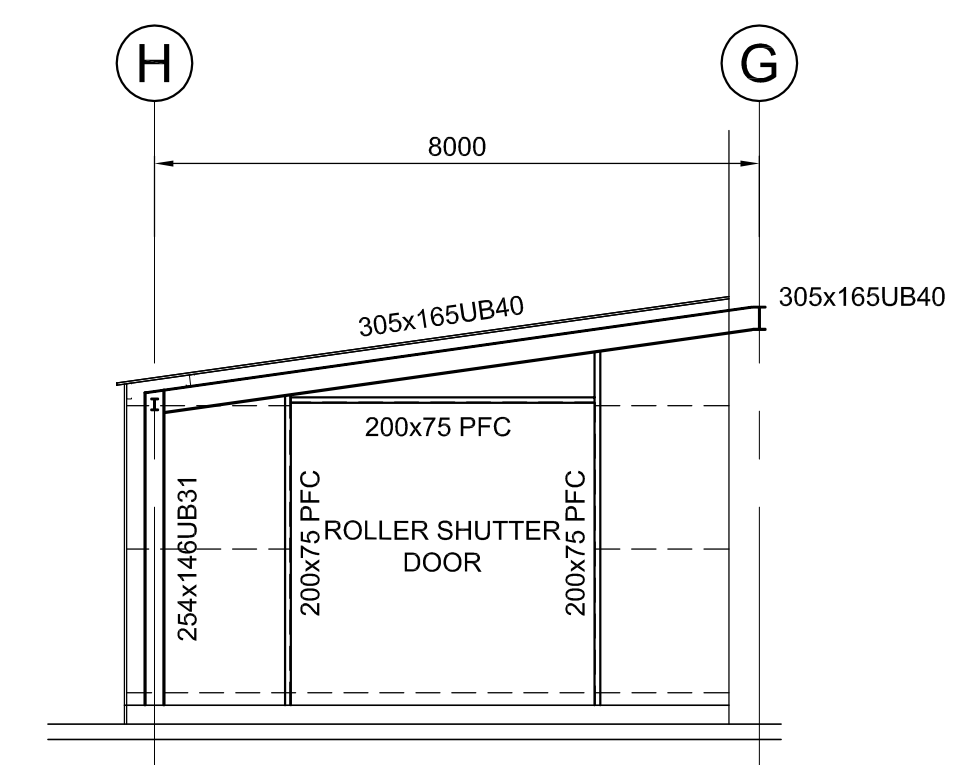
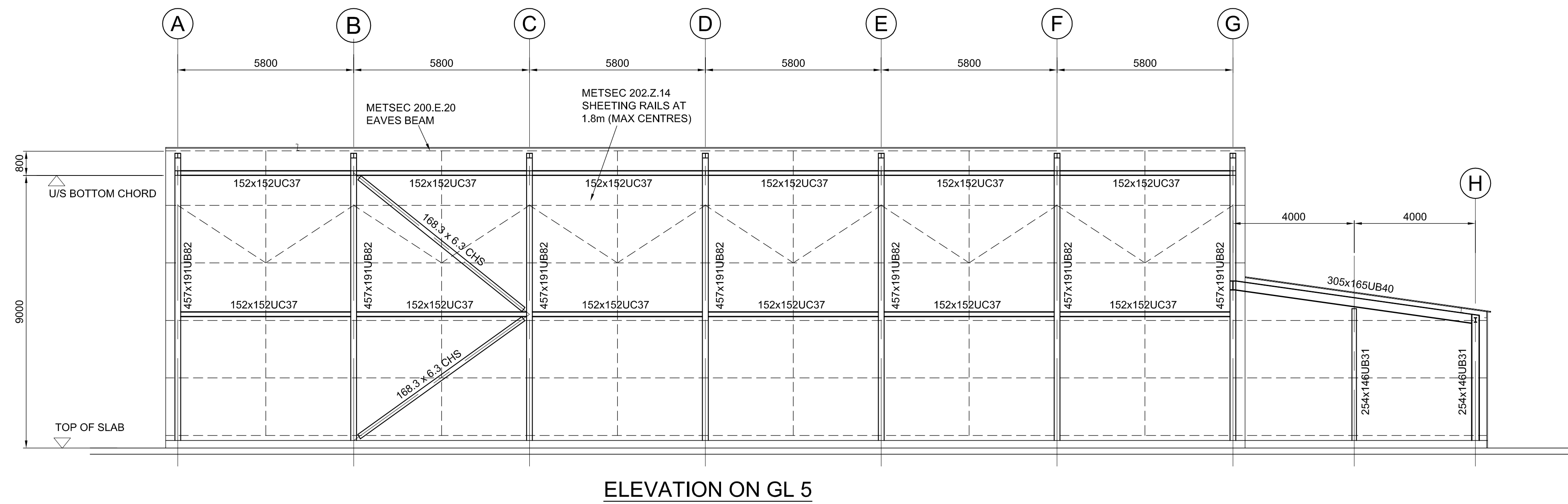


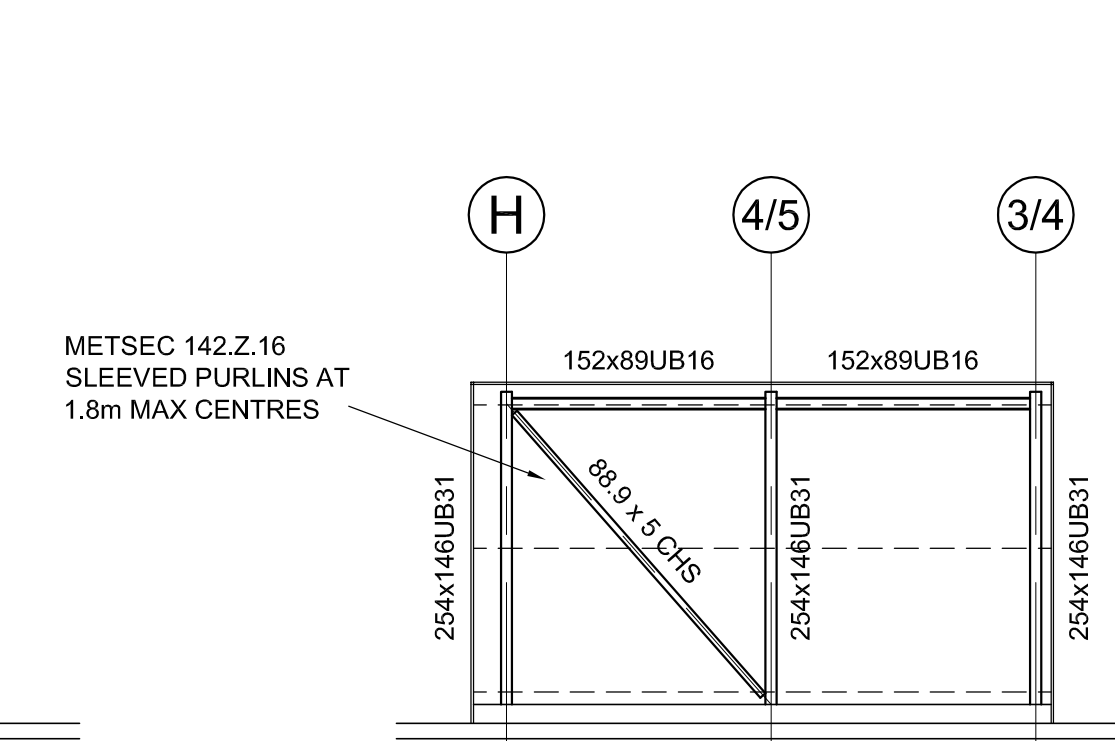
ELEVATION ON GL 1



ELEVATION ON GL 3/4



ELEVATION ON GL 5



ELEVATION ON GL H

DRAWING FOR TENDER  
PUPOSES ONLY

WAREHOUSE  
ELEVATIONS

Rev.	Description	By	Date	Chk'd
A	ISSUED FOR TENDER	MB	10.09.23	MB
AOC HAVERHILL				
WAREHOUSE BUILDING				
<b>C3 Project Services</b> C3 Technical Limited 59 Wilmslow Road, Handforth, Cheshire, SK9 3EN Tel: 08456 769 869 email: info@c3projects.com www.c3projects.com				
Drawn By		Date		
MB		MAY 2023		
Checked By		Scale		
MB		1:100 AT A1		
Contract No		Drawing No	Rev	
TC-6900		303	A	