

PROPOSED SIGNAGE

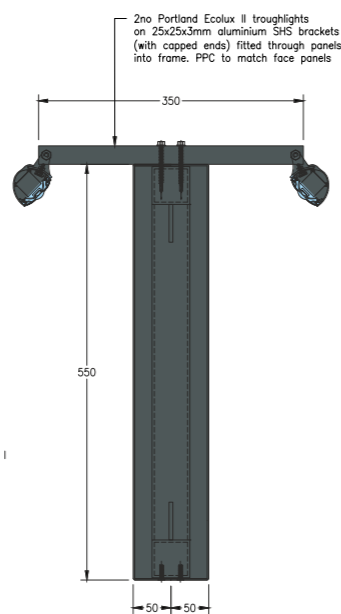


**Item 1**

1No. Externally illuminated fascia with push through acrylic lettering and Co-op logo. Fascia to be powder coated Grey RAL 7010, lettering to be white.

**Size:** 9,745mm x 865mm with 20mm upstand and downstand  
1,170 x 865 corner panel

**Scale:** 1:30



**Item 2**

1No. Externally illuminated Projector sign. RAL 7010 with white applied vinyl lettering. Consisting of 2mm folded aluminium panels having 50mm returns fitted back to back around steel support framework, with mild steel projecting arms and fixing plate, being powder coated RAL 7010.

**Size:** 550mx550mm

**Scale:** 1:10

