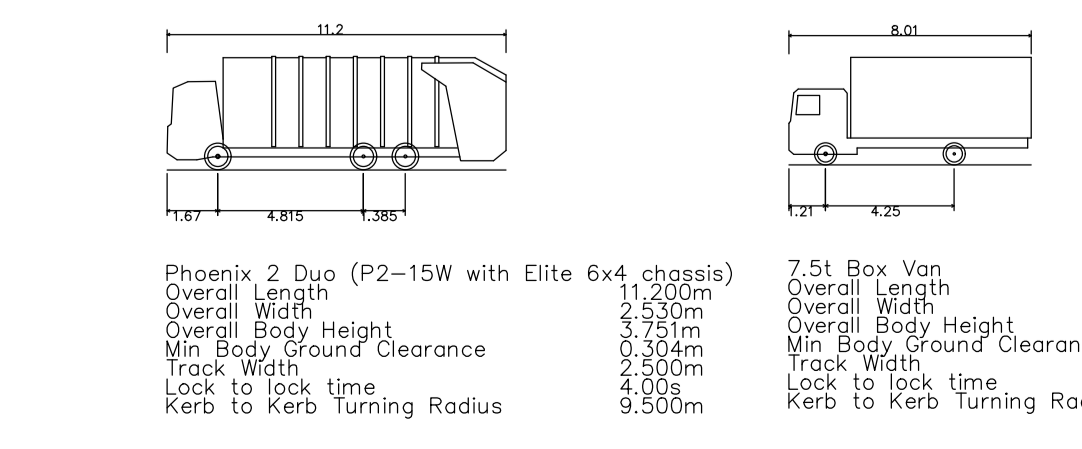
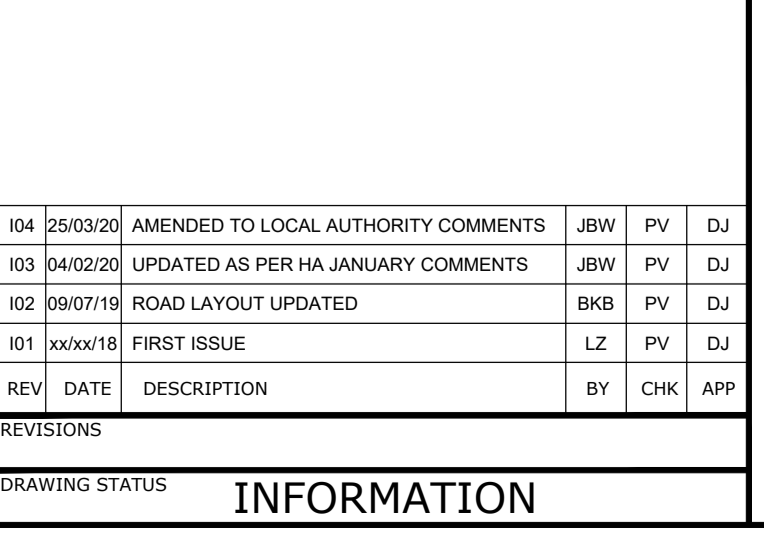


REPRODUCED FROM ORDNANCE SURVEY MAPS WITH PERMISSION FROM THE CONTROLLER OF HM STATIONERY OFFICE. CROWN COPYRIGHT RESERVED. LICENCE NO. 100023422 2007.

- GENERAL NOTES**
- DO NOT SCALE FROM THIS DRAWING.
 - ALL DIMENSIONS ARE IN MILLIMETRES UNLESS NOTED OTHERWISE.
 - ALL LEVELS ARE IN METRES RELATIVE TO ORDNANCE DATUM NEWLYN UNLESS NOTED OTHERWISE.
 - THIS DRAWING HAS BEEN BASED UPON SURVEY / OS INFORMATION SUPPLIED BY INTERLOCKS SURVEYS LIMITED. ROYAL HASKONING DHV SHALL NOT BE LIABLE FOR ANY INACCURACY OR DEFICIENCIES ARISING FROM IT.
 - THIS DRAWING TO BE READ IN CONJUNCTION WITH ALL OTHER RELEVANT DRAWINGS.
 - ALL MATERIALS AND WORKMANSHIP WILL BE AS SPECIFIED IN THE SPECIFICATION UNLESS NOTED OTHERWISE.
 - ALL LEVELS, DIMENSIONS AND LOCATIONS ARE TO BE CHECKED BY THE MAIN CONTRACTOR PRIOR TO COMMENCEMENT OF ANY WORK ON SITE.



104 [20/03/20] AMENDED TO LOCAL AUTHORITY COMMENTS	JBW	PV	DJ
103 [04/02/20] UPDATED AS PER HA JANUARY COMMENTS	JBW	PV	DJ
102 [06/07/18] ROAD LAYOUT UPDATED	BKB	PV	DJ
101 [04/04/18] FIRST ISSUE	LZ	PV	DJ
REVISED DATE	DESCRIPTION	BY	CHK APP
REVISIONS			
DRAWING STATUS	INFORMATION		



**RESERVED MATTERS
SWEEP PATH
LARGE VEHICLES**

CLIENT	PROJECT	TITLE	DATE	SCALE	PROJECT NUMBER	REVISION
			OCT-18	1:250	PB8301	
DRAWN	CHECKED	APPROVED				
LZ	PV	DJ				
DRAWING No. PB8301-RHD-DE-H1-DR-D-0211						REVISION I04