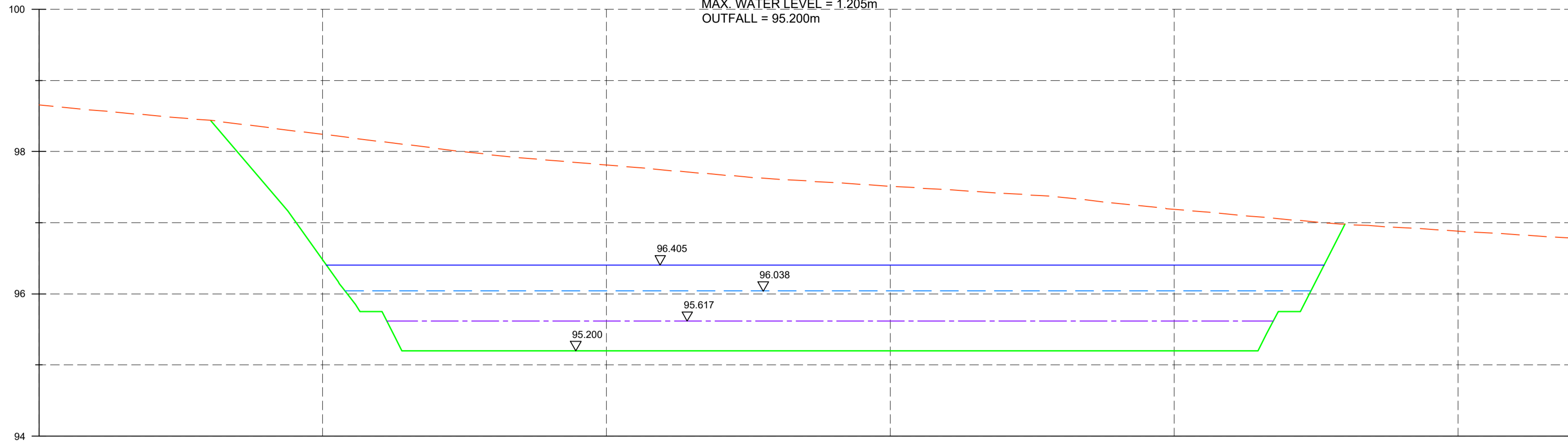
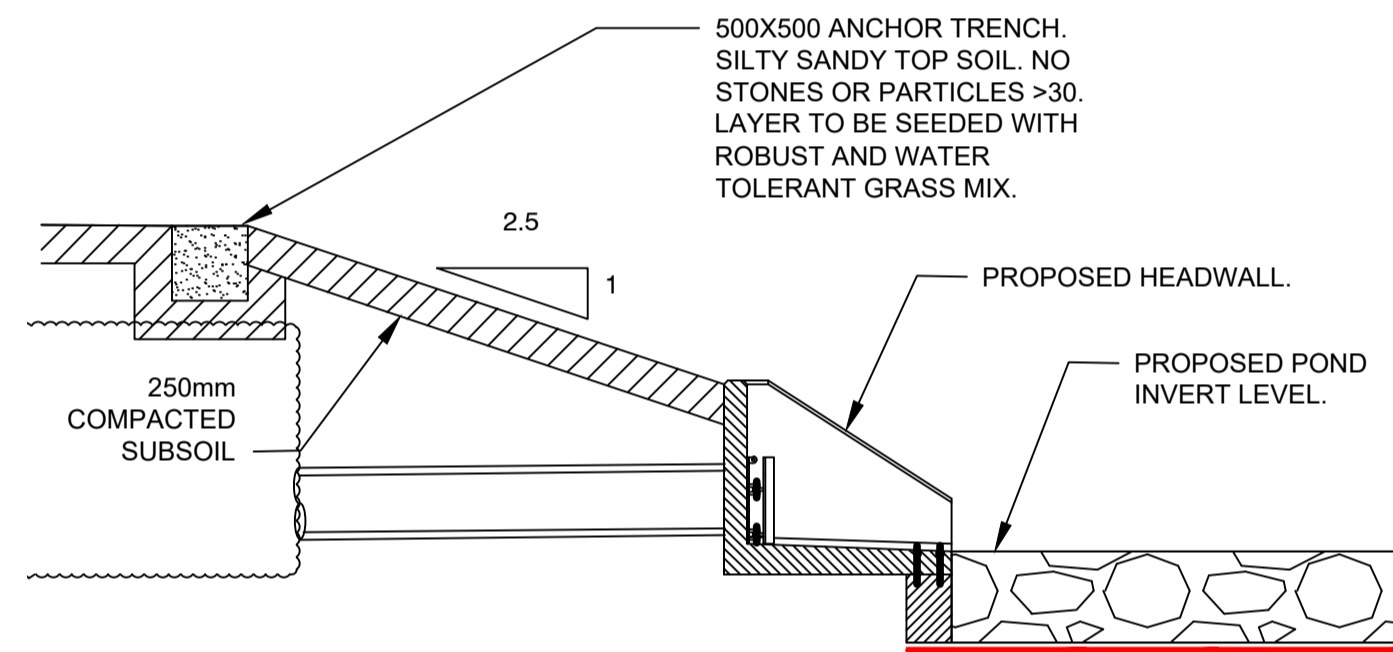
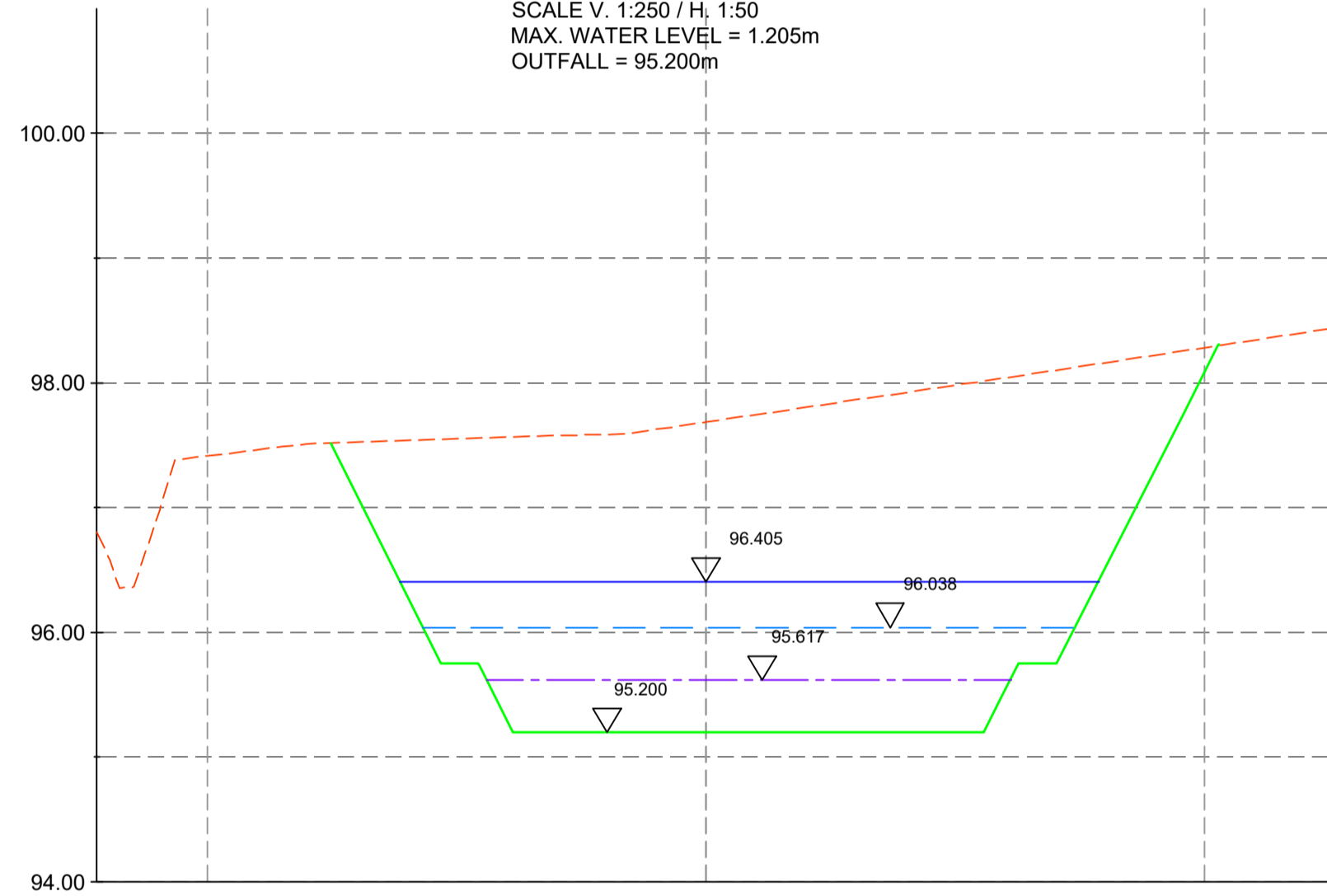


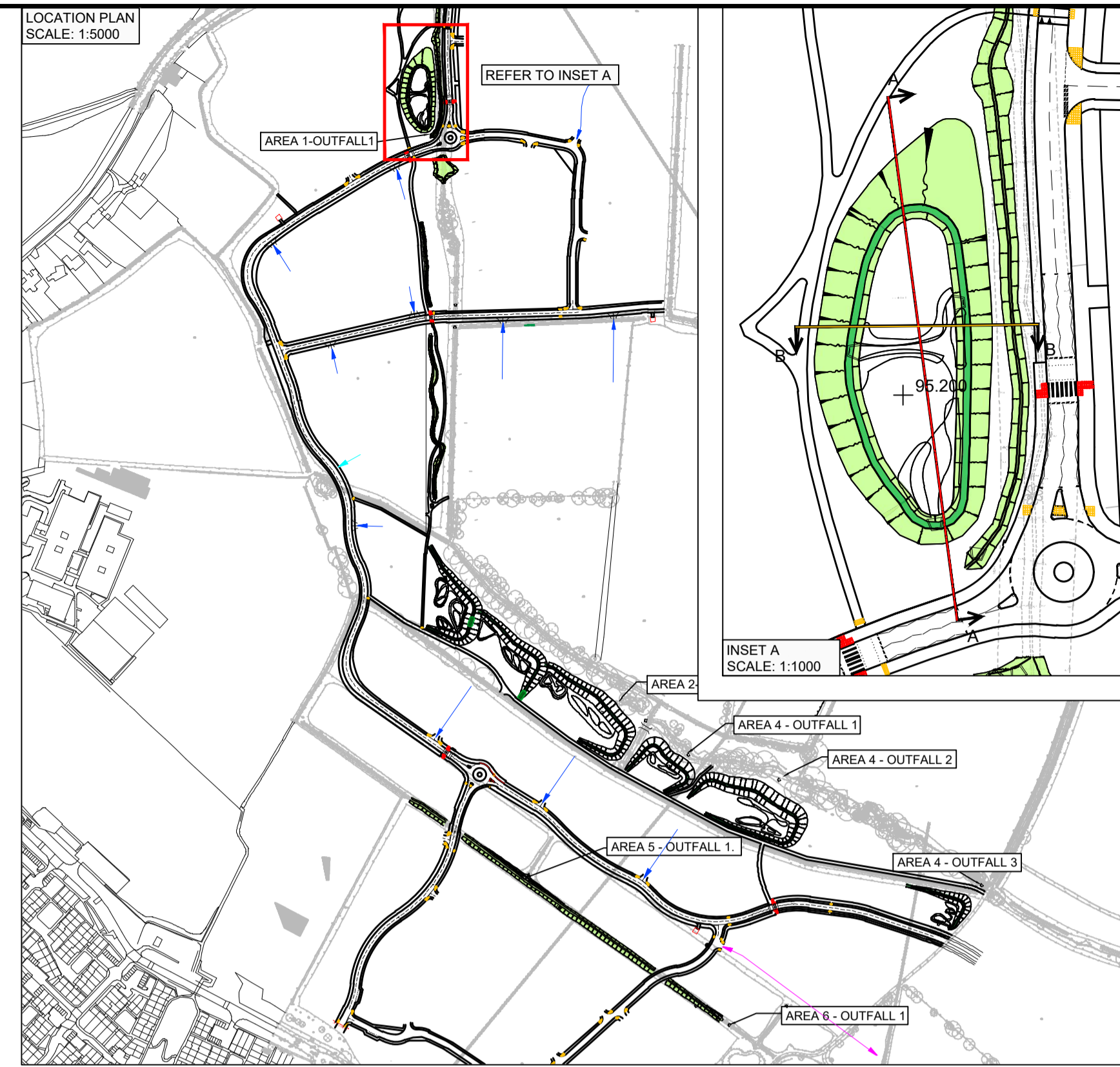
POND 1 LONGSECTION (A-A)
SCALE V. 1:250 / H. 1:50
MAX. WATER LEVEL = 1.205m
OUTFALL = 95.200m



POND 1 CROSS SECTION (B-B)
SCALE V. 1:250 / H. 1:50
MAX. WATER LEVEL = 1.205m
OUTFALL = 95.200m



TYPICAL POND INLET/OUTLET DETAIL (NTS)



GENERAL NOTES

- DO NOT SCALE FROM THIS DRAWING.
- ALL DIMENSIONS ARE IN METRES UNLESS NOTED OTHERWISE.
- ALL LEVELS ARE IN METRES RELATIVE TO ORDNANCE DATUM NEWLYN UNLESS NOTED OTHERWISE.
- THIS DRAWING HAS BEEN BASED UPON SURVEY / OS INFORMATION SUPPLIED BY OTHERS, ROYAL HASKONING DHV SHALL NOT BE LIABLE FOR ANY INACCURACY OR DEFICIENCIES ARISING FROM IT.
- THIS DRAWING TO BE READ IN CONJUNCTION WITH ALL OTHER RELEVANT DRAWINGS.
- ALL MATERIALS AND WORKMANSHIP WILL BE AS SPECIFIED IN THE SPECIFICATION UNLESS NOTED OTHERWISE.
- ALL LEVELS, DIMENSIONS AND LOCATIONS ARE TO BE CHECKED BY THE MAIN CONTRACTOR PRIOR TO COMMENCEMENT OF ANY WORK ON SITE.

KEY

- CROSS/LONGITUDINAL SECTION
- EXISTING GROUND PROFILE
- PROPOSED GROUND PROFILE
- 1 IN 1 STORM WATER PROFILE
- 1 IN 30 STORM WATER PROFILE
- 1 IN 100 +30% CC STORM WATER PROFILE

REV	DATE	DESCRIPTION	BY	CHK	APP
104	25/03/20	UPDATED TO LOCAL AUTHORITY COMMENTS	JBW	PV	DJ
103	24/02/20	UPDATED POND LAYOUT	JBW	PV	DJ
102	11.02.20	UPDATED POND DISCHARGE RATES	JBW	PV	DJ
101	22.03.19	FIRST ISSUE	JBW	PV	DJ

REVISIONS

DRAWING STATUS

INFORMATION

CLIENT



TITLE

POND 1 DETAILS



DRAWN	CHECKED	APPROVED
JBW	PV	DJ

DATE	SCALE AT A1	PROJECT NUMBER
MAR-19	AS SHOWN	PB8301

DRAWING No. REVISION

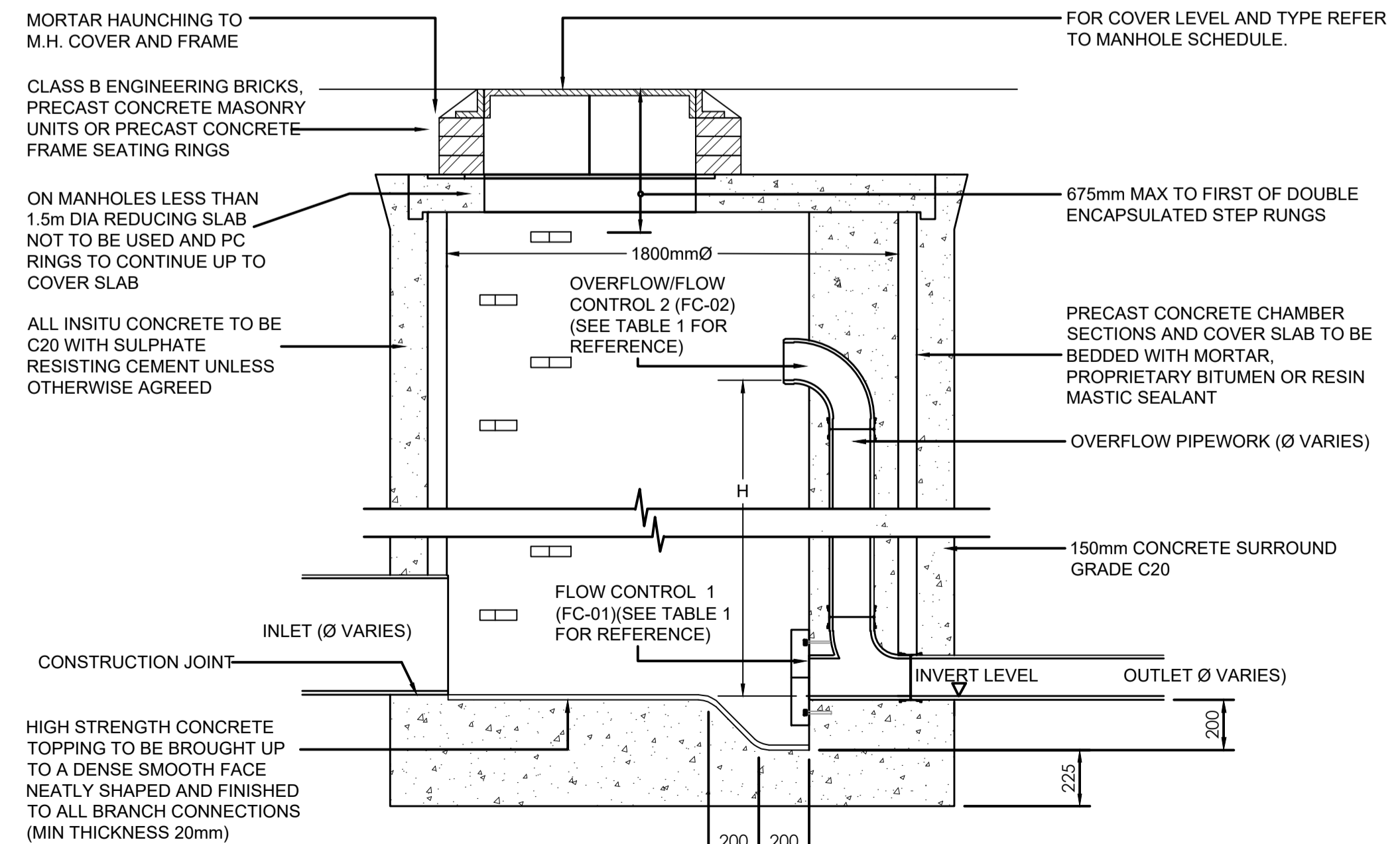
PB8301-RHD-DE-H1-DR-D-0550 104

Catchment	Greenfield Conditions											Networks									
	Required Discharge rates (IH124)			Outfall - Flow control system								Discharge rates(Q) Water levels(WL)									
	Q1 in 1	Q1 in 30	Q1 in 100	Outfall number	DB Pipe number	Manhole number	Cover Level	Invert Level	Flow control Ref.	Type	Depth Above Invert(mmm)	Q1 in 1	Q1 in 30	Q1 in 100	Q	WL	Q	WL	Q	WL	
Area 1	5.14	13.85	18.95	Outfall 1	9.004	S1.14 FC	96.950	95.198	FC01-01	Hydrobrake	0	5.00	95.617	6.60	96.038	16.40	96.405				
									FC01-02	Ø225mm Pipe	930										

TABLE 1 - DISCHARGE DETAILS

Detention Basin 1			
Depth(m)	Area(m²)	Estimated Volume (m³) (A1+A2)/2 x H	Cumulative Volume(m³)
0.000	990.0	0.0	0.0
0.150	1043.3	152.5	152.5
0.250	1079.0	258.6	411.1
0.500	1170.0	281.1	692.2
0.750	1504.0	334.3	1026.5
1.000	1617.0	390.1	1416.6
1.250	1733.0	418.8	1835.4
1.500	1850.0	1835.4	1835.4

TABLE 2 - POND VOLUME DETAILS



SECTION THROUGH FLOW CONTROL MANHOLE

SCALE 1:20