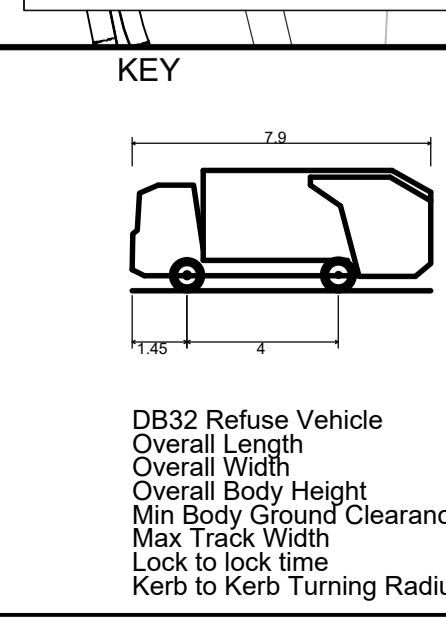


REPRODUCED FROM ORDNANCE SURVEY MAPS WITH PERMISSION FROM THE CONTROLLER OF HM STATIONERY OFFICE. CROWN COPYRIGHT RESERVED. LICENCE No. 100023422 2007.

**GENERAL NOTES**

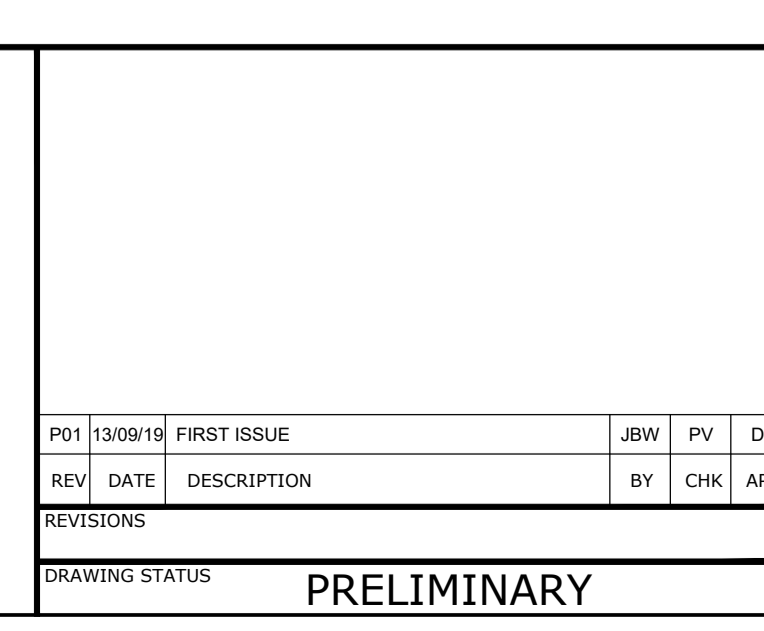
- DO NOT SCALE FROM THIS DRAWING.
- ALL DIMENSIONS ARE IN MILLIMETRES UNLESS NOTED OTHERWISE.
- ALL LEVELS ARE IN METRES RELATIVE TO ORDNANCE DATUM NEWLYN UNLESS NOTED OTHERWISE.
- THIS DRAWING HAS BEEN BASED UPON SURVEY / OS INFORMATION SUPPLIED BY INTERLOCKS SURVEYS LIMITED. ROYAL HASKONING DHV SHALL NOT BE LIABLE FOR ANY INACCURACY OR DEFICIENCIES ARISING FROM IT.
- THIS DRAWING TO BE READ IN CONJUNCTION WITH ALL OTHER RELEVANT DRAWINGS.
- ALL MATERIALS AND WORKMANSHIP WILL BE AS SPECIFIED IN THE SPECIFICATION UNLESS NOTED OTHERWISE.
- ALL LEVELS, DIMENSIONS AND LOCATIONS ARE TO BE CHECKED BY THE MAIN CONTRACTOR PRIOR TO COMMENCEMENT OF ANY WORK ON SITE.



**KEY**

- OUTLINE APPLICATION BOUNDARY
- HOUSING RMA APPLICATION BOUNDARY

REV	DATE	DESCRIPTION	BY	CHK	APP
001	13/09/16	FIRST ISSUE	JBW	PV	DJ
REVISIONS					
DRAWING STATUS: PRELIMINARY					



RESERVED MATTERS  
A2

REFUSE VEHICLE  
SWEPT PATH ANALYSIS

DATE	SCALE	PROJECT NUMBER	REVISION
SEP '19	1:500	PB8301	

**Royal HaskoningDHV**  
Enhancing Society Together

Portland Street, Manchester One, 9th Floor  
Manchester, M2 3JL  
Email: info.manchester@uk.rdhv.com  
Website: www.rdhv.com

Drawn: JBW, Checked: PV, Approved: DJ  
Date: SEP '19, Scale: 1:500, Project Number: PB8301  
Drawing No: PB8301-RHD-DE-A2-DR-D-0211, Revision: P01