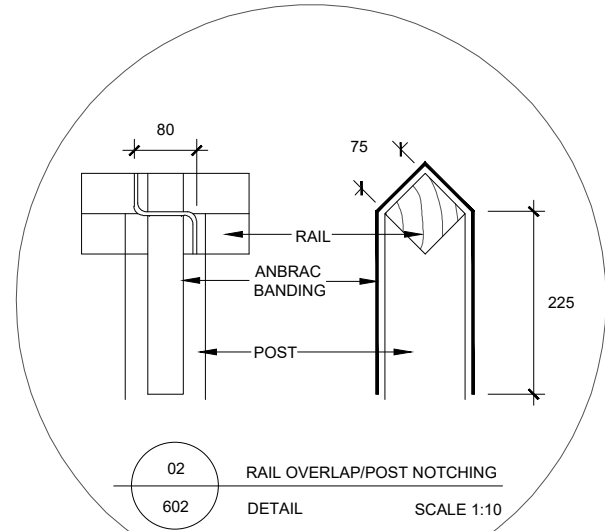
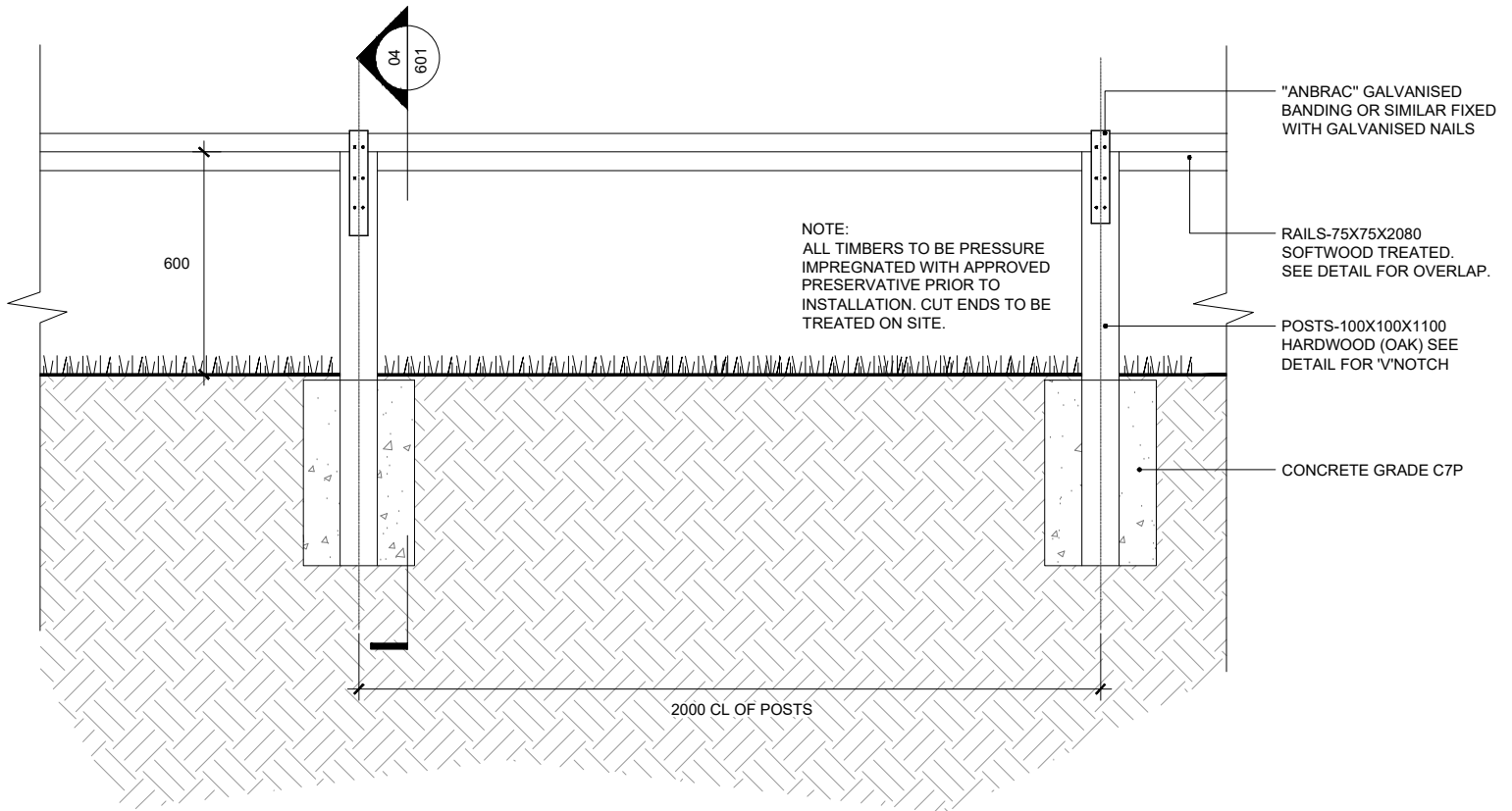


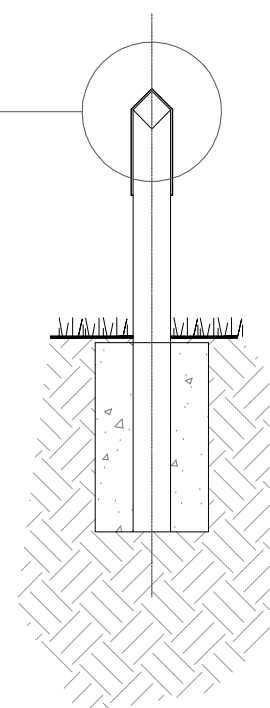
01 BOUNDARY TREATMENT TYPE 04 - KNEE RAIL  
602 ELEVATION SCALE 1:20



02 RAIL OVERLAP/POST NOTCHING  
602 DETAIL SCALE 1:10



03 BOUNDARY TREATMENT TYPE 04 - KNEE RAIL  
602 ELEVATION SCALE 1:20



04 BOUNDARY TREATMENT TYPE 04 - KNEE RAIL  
602 SECTION SCALE 1:20

No dimensions are to be scaled from this drawing. All dimensions are to be checked on site. Area measurements for indicative purposes only.

This drawing is the property of Exterior Architecture Ltd. No part of the drawing may be reproduced in any manner without permission from Exterior Architecture Ltd.

Client  
**REDROW LTD**

Rev	Description	Date
---	---	---
---	---	---
---	---	---
---	---	---
---	---	---
---	---	---
---	---	---
---	---	---
---	---	---
---	---	---
---	---	---
---	---	---

**EXTERIOR ARCHITECTURE**  
 LONDON: Studio 1S, Hewlett House, Havelock Terrace, London, SW8 4AS  
 MANCHESTER: Studio 537, The Royal Exchange, St Anns Square, Manchester, M2 7DH  
 E-Mail: [office@exteriorarchitecture.com](mailto:office@exteriorarchitecture.com)  
 Web: [www.exteriorarchitecture.com](http://www.exteriorarchitecture.com)

Project title  
**GREAT WILSEY PARK, HAVERHILL**

Drawing title  
**TIMBER KNEE RAIL DETAILS**

Issued By	London	T: 020 7978 2101
Scale	1:20 @ A3	Drawn KL
Status	PLANNING	Checked RP
Date	16.09.2019	Approved LP

Drawing number	Revision
EXA_1868_612	*