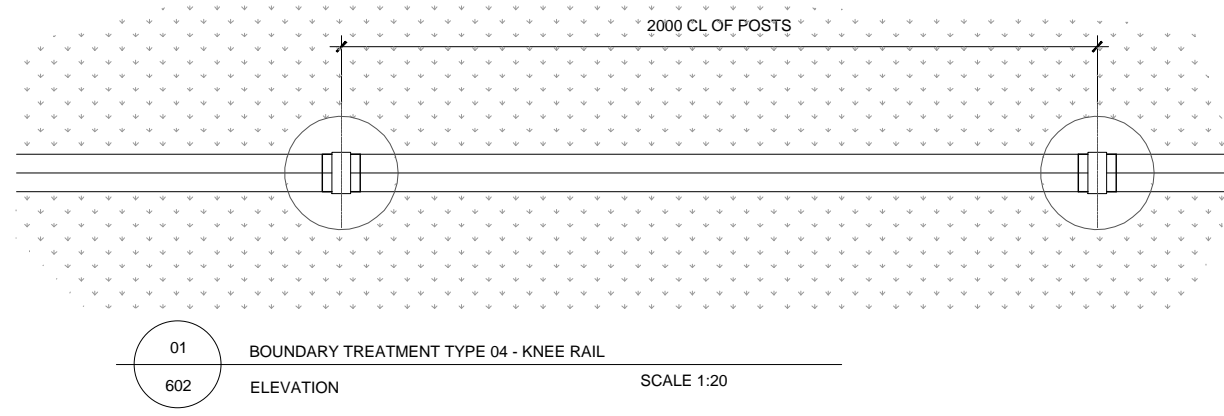


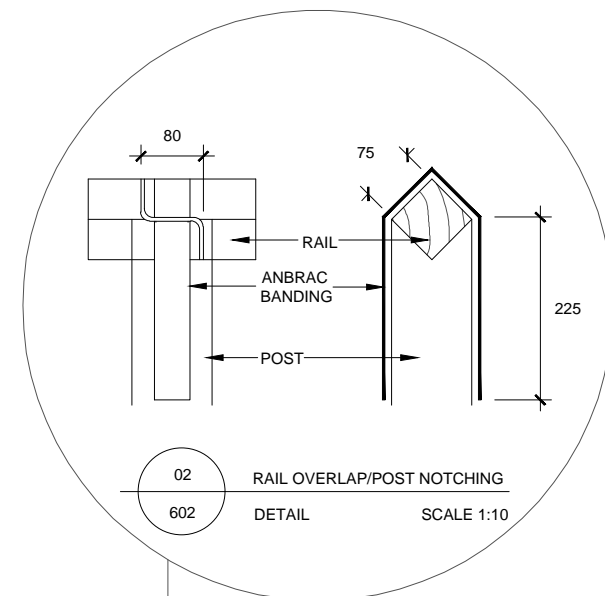
No dimensions are to be scaled from this drawing.
 All dimensions are to be checked on site.
 Area measurements for indicative purposes only.

This drawing is the property of Exterior Architecture Ltd.
 No part of the drawing may be reproduced in any manner without
 permission from Exterior Architecture Ltd.

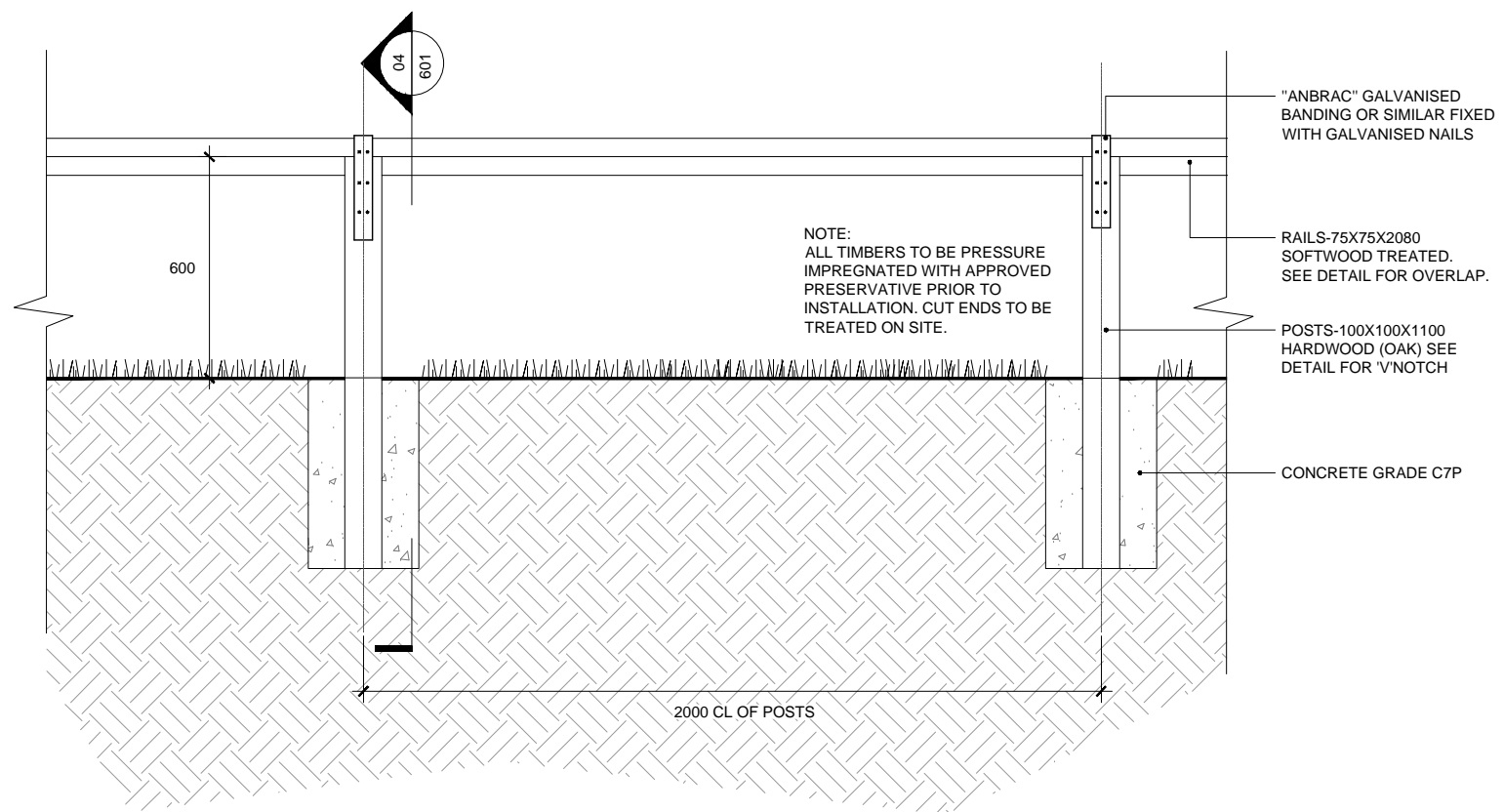
Client
REDROW LTD



01 BOUNDARY TREATMENT TYPE 04 - KNEE RAIL
 602 ELEVATION SCALE 1:20

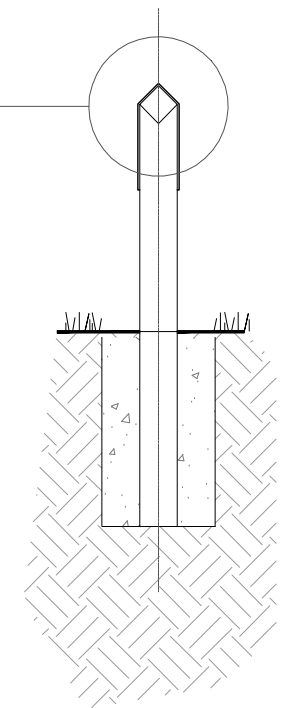


02 RAIL OVERLAP/POST NOTCHING
 602 DETAIL SCALE 1:10



03 BOUNDARY TREATMENT TYPE 04 - KNEE RAIL
 602 ELEVATION SCALE 1:20

04 BOUNDARY TREATMENT TYPE 04 - KNEE RAIL
 602 SECTION SCALE 1:20



Rev	Description	Date
A	PLANNING UPDATE	14.08.2020

EXTERIOR ARCHITECTURE
 LONDON: Studio 1S, Hewlett House, Havelock Terrace, London, SW8 4AS
 MANCHESTER: Studio 537, The Royal Exchange, St Anns Square, Manchester, M2 7DH
 E-Mail: office@exteriorarchitecture.com
 Web: www.exteriorarchitecture.com

Project title
GREAT WILSEY PARK, HAVERHILL

Drawing title
TIMBER KNEE RAIL DETAILS

Issued By	London	T: 020 7978 2101
Scale	1:20 @ A3	Drawn KL
Status	PLANNING	Checked RP
Date	16.09.2019	Approved LP
Drawing number	EXA_1868_612	Revision A

D:\ROB'S ONEDRIVE\ONEDRIVE - EXTERIOR ARCHITECTURE LTD\PROJECT FILES\1868_GREAT WILSEY PARK, HAVERHILL\01 CAD\02 SHEET LAYOUT\EXA_1868_612.DWG