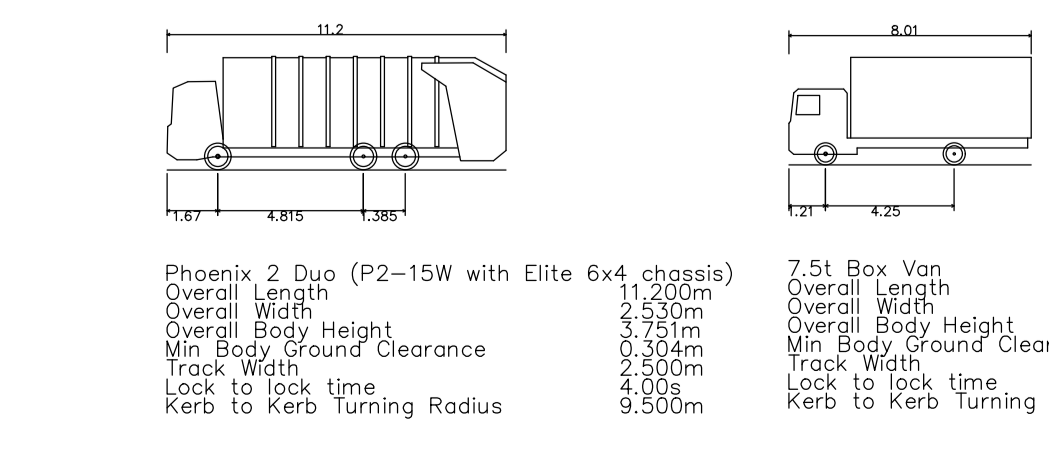


REPRODUCED FROM ORDNANCE SURVEY MAPS WITH PERMISSION FROM THE CONTROLLER OF HM STATIONERY OFFICE. CROWN COPYRIGHT RESERVED. LICENCE NO. 100023422 2007.

- GENERAL NOTES**
- DO NOT SCALE FROM THIS DRAWING.
 - ALL DIMENSIONS ARE IN MILLIMETRES UNLESS NOTED OTHERWISE.
 - ALL LEVELS ARE IN METRES RELATIVE TO ORDNANCE DATUM NEWLYN UNLESS NOTED OTHERWISE.
 - THIS DRAWING HAS BEEN BASED UPON SURVEY / OS INFORMATION SUPPLIED BY INTERLOCKS SURVEYS LIMITED. ROYAL HASKONING DHV SHALL NOT BE LIABLE FOR ANY INACCURACY OR DEFICIENCIES ARISING FROM IT.
 - THIS DRAWING TO BE READ IN CONJUNCTION WITH ALL OTHER RELEVANT DRAWINGS.
 - ALL MATERIALS AND WORKMANSHIP WILL BE AS SPECIFIED IN THE SPECIFICATION UNLESS NOTED OTHERWISE.
 - ALL LEVELS, DIMENSIONS AND LOCATIONS ARE TO BE CHECKED BY THE MAIN CONTRACTOR PRIOR TO COMMENCEMENT OF ANY WORK ON SITE.



| NO. | DATE | DESCRIPTION | BY | CHK | APP |
|-----|----------|-------------------------------------|-----|-----|-----|
| 105 | 15/04/20 | AMENDED TO LOCAL AUTHORITY COMMENTS | BKB | PV | DJ |
| 104 | 20/03/20 | AMENDED TO LOCAL AUTHORITY COMMENTS | JBW | PV | DJ |
| 103 | 04/02/20 | UPDATED AS PER HA JANUARY COMMENTS | JBW | PV | DJ |
| 102 | 09/07/18 | ROAD LAYOUT UPDATED | BKB | PV | DJ |
| 101 | 04/04/18 | FIRST ISSUE | L2 | PV | DJ |
| 100 | | DESIGN OFFER | BY | CHK | APP |

DRAWING STATUS: INFORMATION



**RESERVED MATTERS
SWEEP PATH
LARGE VEHICLES**

| | |
|----------------|--|
| PROJECT | GREAT WILSEY PARK |
| TITLE | RESERVED MATTERS SWEEP PATH LARGE VEHICLES |
| DATE | OCT-18 |
| SCALE | 1:250 |
| PROJECT NUMBER | PB8301 |
| DRAWING No. | PB8301-RHD-DE-H1-DR-D-0211 |
| REVISION | I05 |

