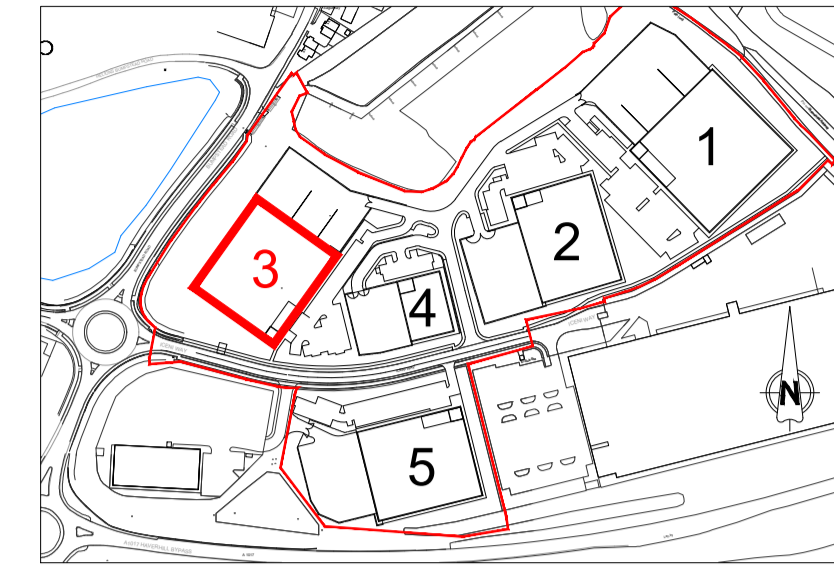
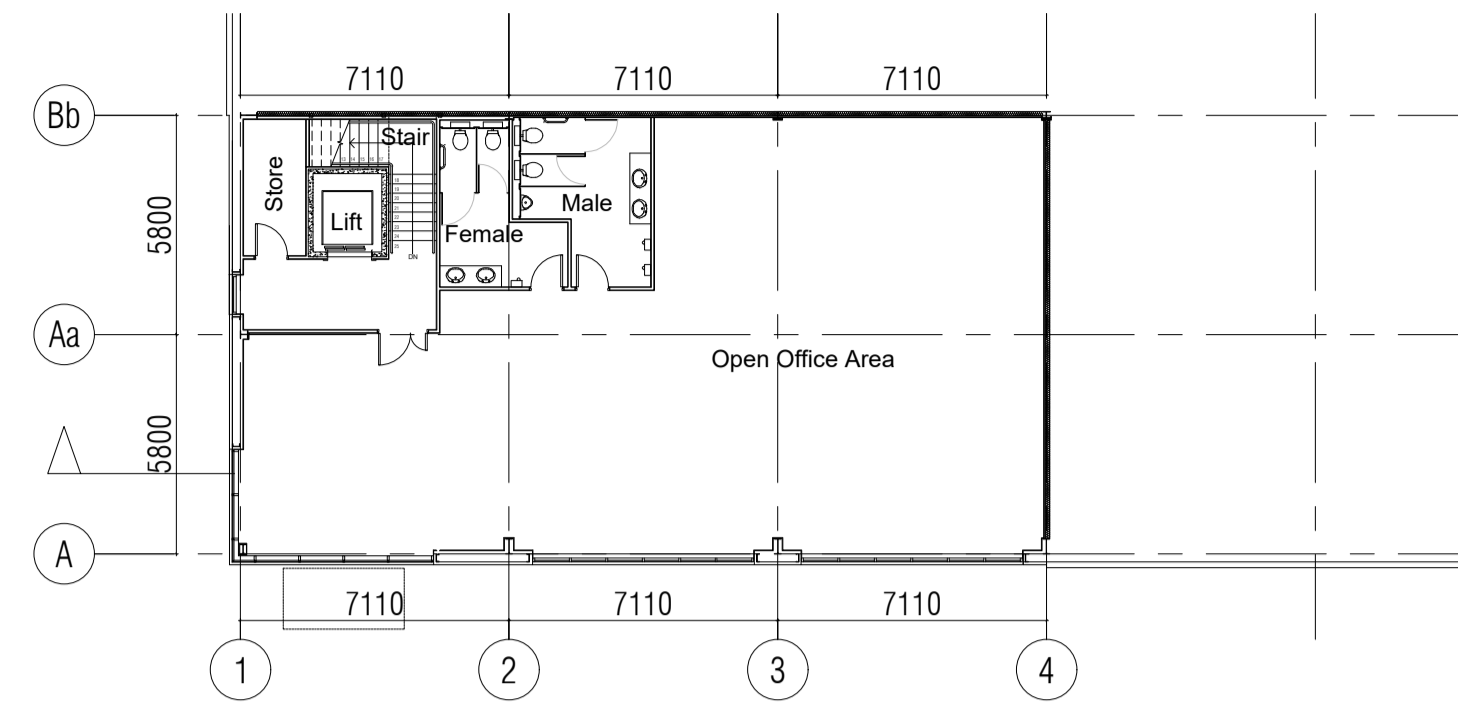


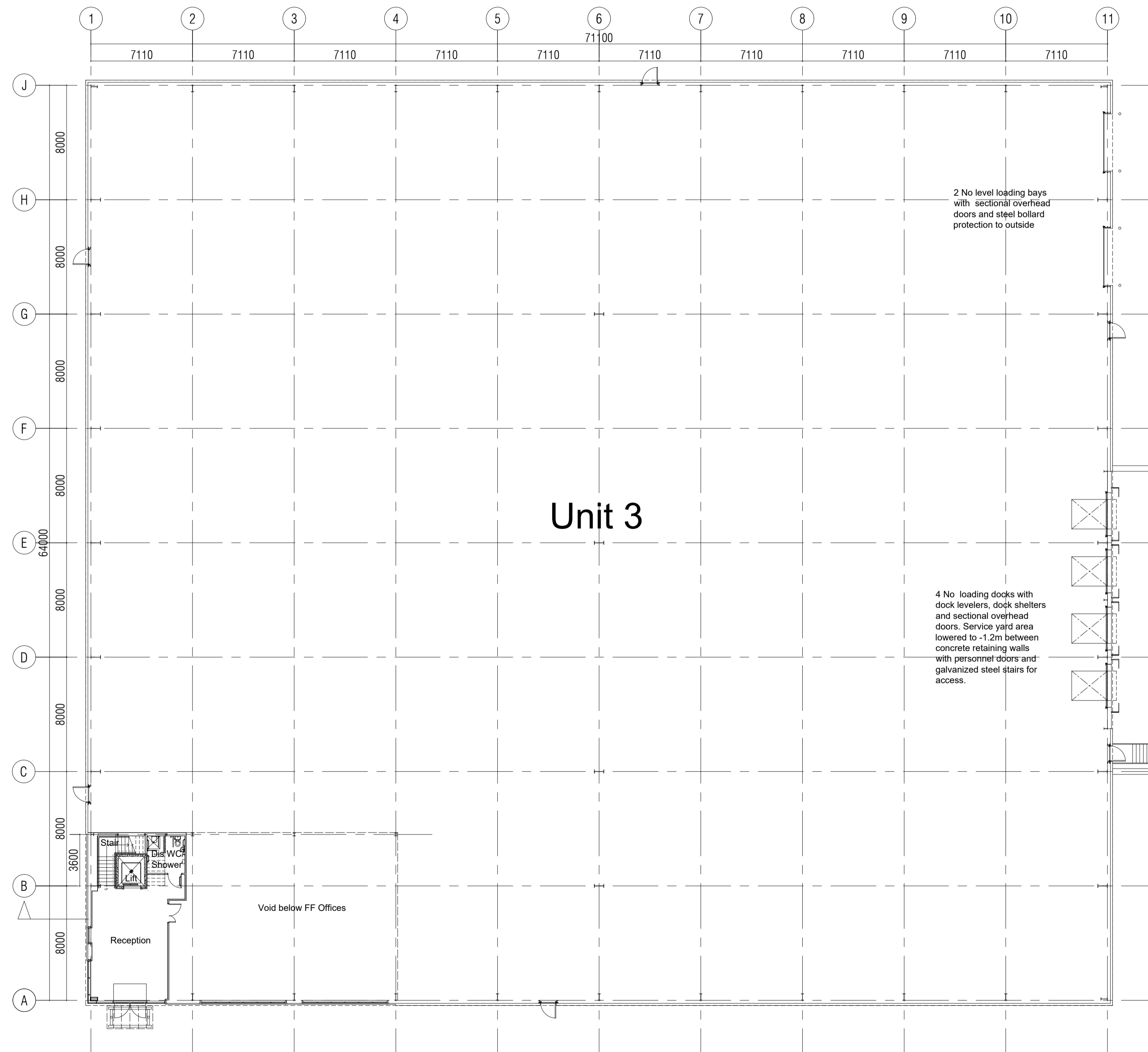
NOTES
 This drawing and design is the copyright of aja architects llp and must not be reproduced in part or in whole without prior written consent. Contractors must verify all dimensions on site before commencing work or preparing shop drawings if in doubt ASK.
 Where this drawing contains any Ordnance Survey mapping material, it has been reproduced under license number 100052278.
 Ordnance Survey © Crown copyright



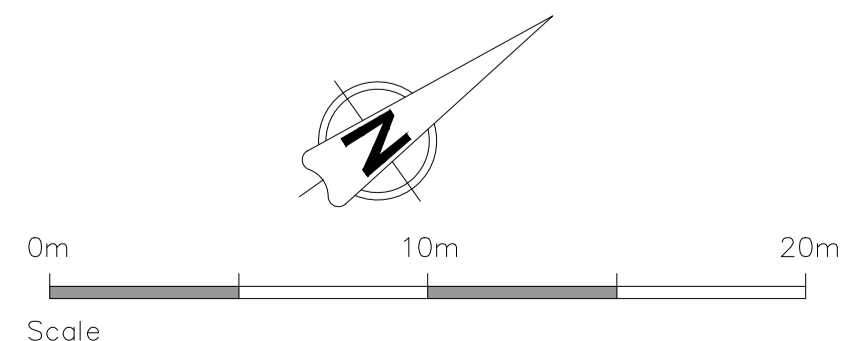
Keyplan - Scale 1:5000



First Floor Plan



Ground Floor Plan



| no. | date | revision | by |
|-----|----------|--|----|
| C | 22/05/19 | Scales revised for planning | TW |
| B | 30/04/19 | Issued for planning | TW |
| A | 24/04/19 | Corrected following comments & roof plan added | TW |



aja architects llp
 1170 Elliott Court
 Herald Avenue
 Coventry Business Park
 COVENTRY CV5 6UB
 T: 024 7625 3200
 F: 024 7625 3210
 E: aja@aja-architects.com
 W: www.aja-architects.com

aja architects llp is a limited liability partnership registered in England No. OC326721
 client



project
Haverhill Business Park
Iceni Way
Haverhill, Suffolk
CB9 7FD

Unit 3
 Building Plans

| scale | 1:200 @ A1 | drawn | TW |
|---------|------------|-------|------------|
| checked | AS | date | April 2019 |

no.
6502-54 C
PLANNING