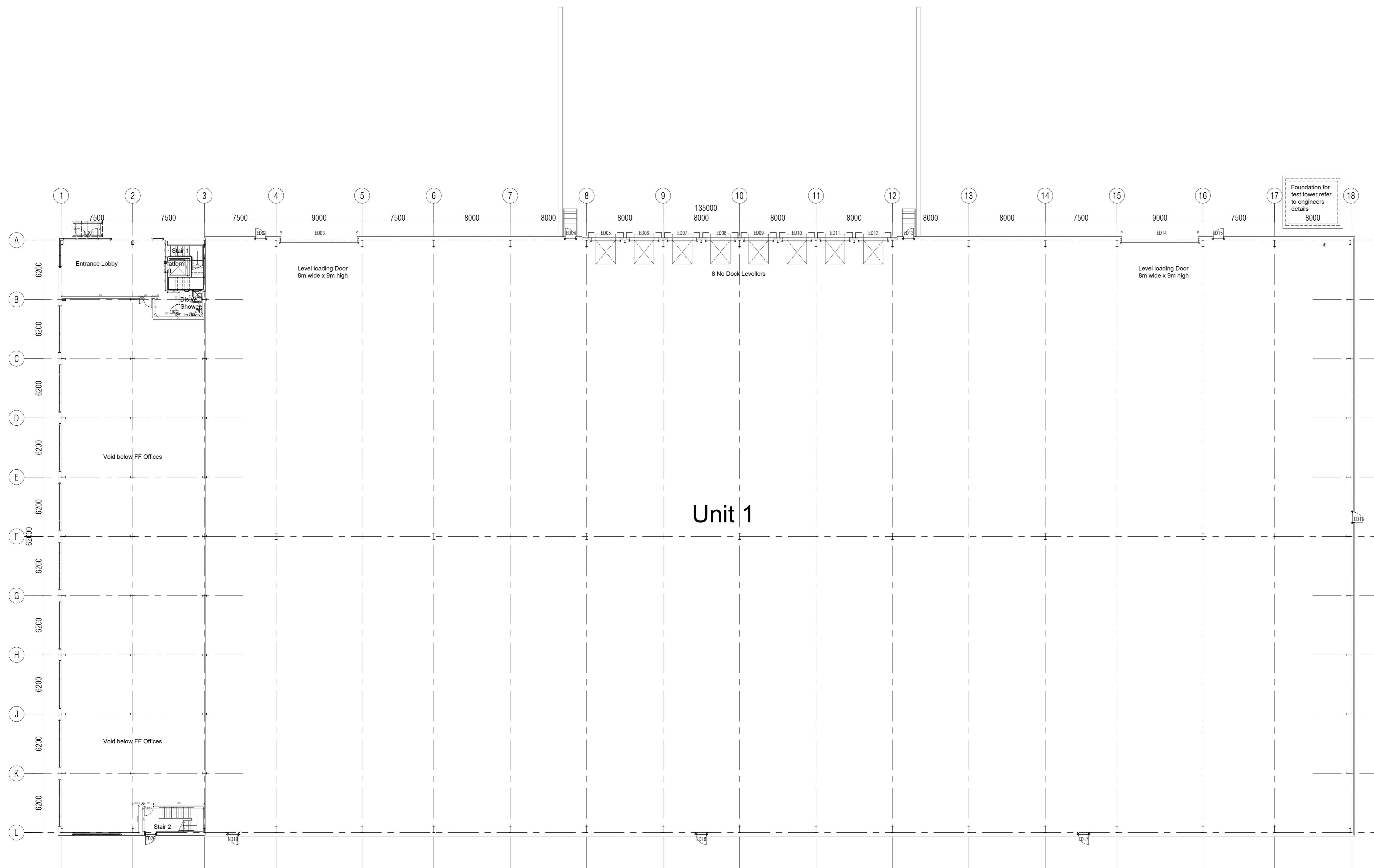
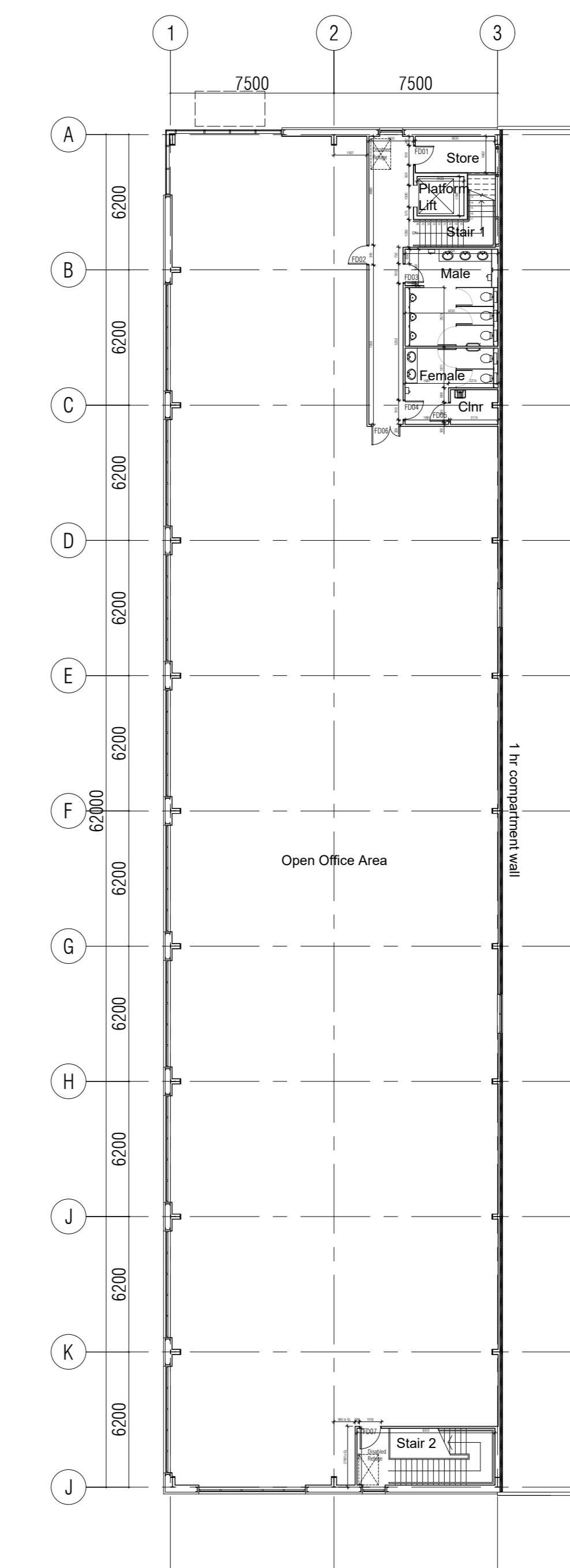


notes  
 this drawing and design is the copyright of aja architects llp and must not be reproduced in part or in whole without prior written consent. comparisons must verify all dimensions on site before commencing work or preparing PQQ drawings. if in doubt ask.  
 where this drawing contains any Ordnance Survey mapping material, it has been reproduced under license number: 10002276.  
 Ordnance Survey © Crown copyright

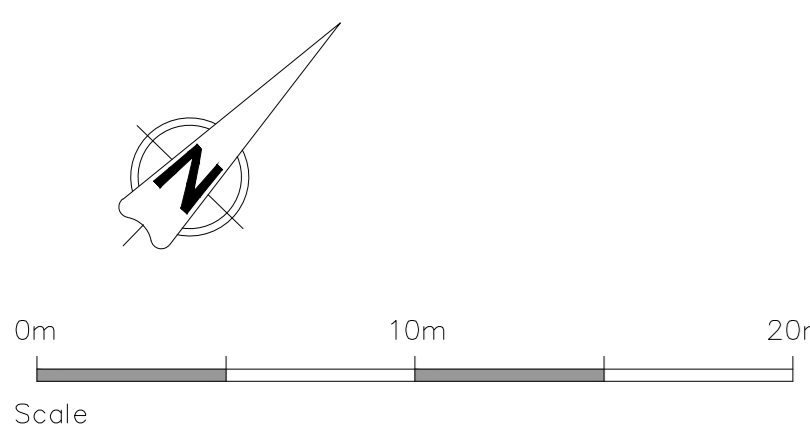
Keyplan - Scale 1:5000



Ground Floor Plan



First Floor Plan



no.	date	revision	by



aja architects llp  
 1170 Elliott Court  
 Harold Avenue  
 Coventry Business Park  
 COVENTRY CV5 6UB  
 aja architects llp is a limited liability partnership registered in England no. 00241231  
 Client

T: 024 7625 3200  
 F: 024 7625 3210  
 E: aja@aja-architects.com  
 W: www.aja-architects.com



project  
 Haverhill Business Park  
 Icen Way  
 Haverhill, Suffolk  
 CB9 7FD  
 drawing

Units 1  
 Building Plans

scale	1:200@A0	drawn	TW
checked	AS	date	25/03/2020

no.  
 6502- P100  
 PLANNING