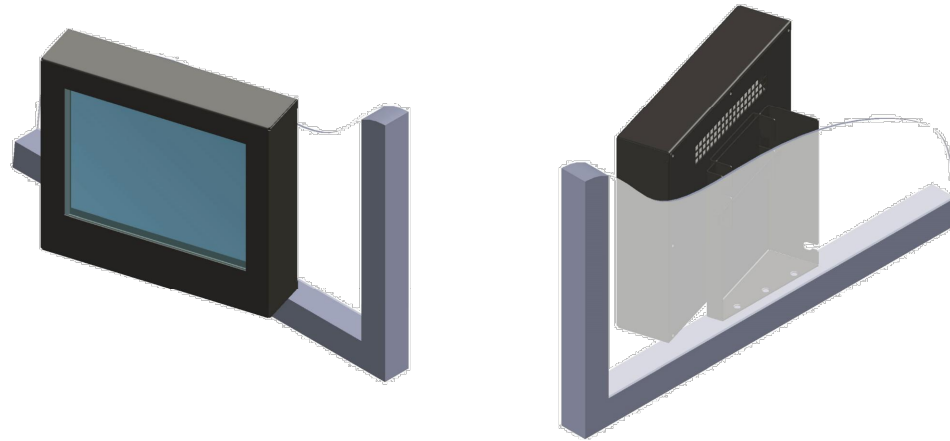


0.0 0.1 0.2 0.3 0.4 0.5m

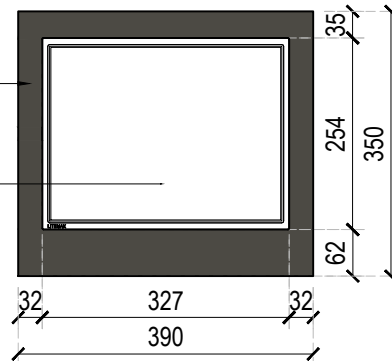


Scale 1:10

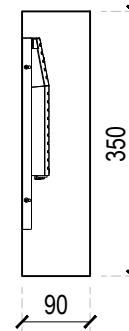


3D view (NTS)

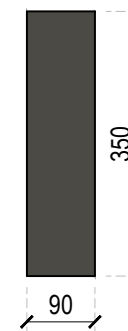
PPC Aluminium shroud
finished in RAL 7022 Grey with
clear perspex front
15" LCD display screen (max.
illumination 1600cd/m²)



Front Elevation



Section



Side Elevation

NOTES AEWTP030C

- All dimensions and levels are to be checked on site.
- Any discrepancies are to be reported to the architect before any work commences
- This drawing shall not be scaled to ascertain any dimensions. Work to figured dimensions only.
- This drawing shall not be reproduced without express written permission from AEW.
- Title overlay drawings and ownership boundaries are produced using all reasonable endeavors. AEW cannot be responsible for the accuracy or scale discrepancy of base plans supplied to them.
- All works are to be undertaken in accordance with Building Regulations and the latest British Standards.
- All proprietary materials and products are to be used strictly in accordance with the manufacturers recommendations.

CDM 2015

Client notified of duties: **at design workshops**
Principal Designer: **TBC**

Unless noted below, all known hazards have been highlighted on the drawing.

REV	Date	Drawn by: -	Checked by: -
S2		For Information	
drawing stage PLANNING			
client McDonald's Restaurants Ltd			
project Reconnect Screen			
drawing title Proposed Reconnect Screen Details			
date	22/05/2019	drawn	RC
scale@A4	1:10	checked	EOH

Reconnect Screen Details
Scale 1:10

Rev

Job No
11358-AEW-XXXX-SK01

aew architects
0161 214 4370
www.aewarchitects.com

