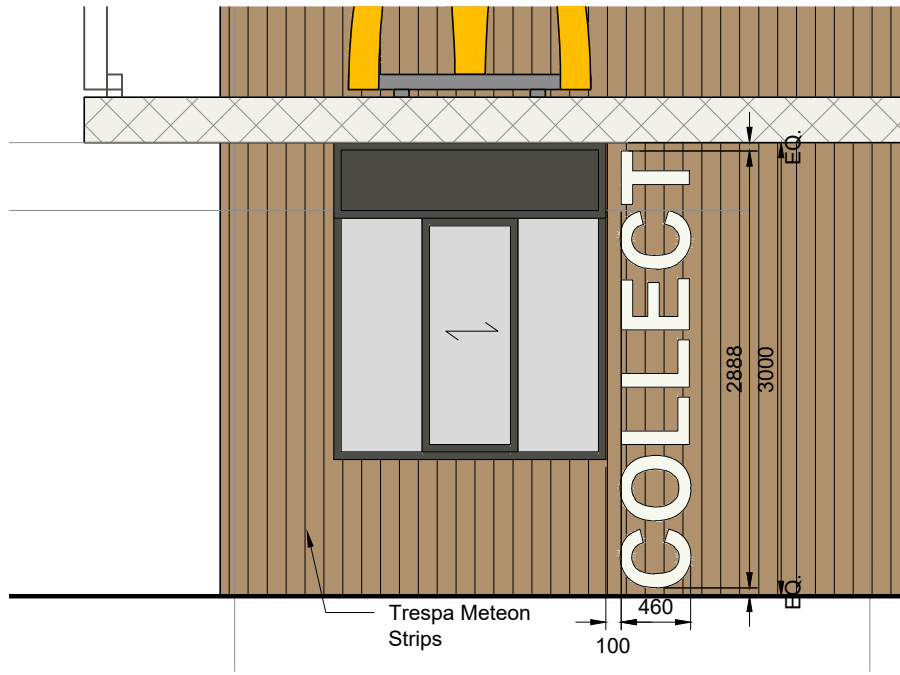




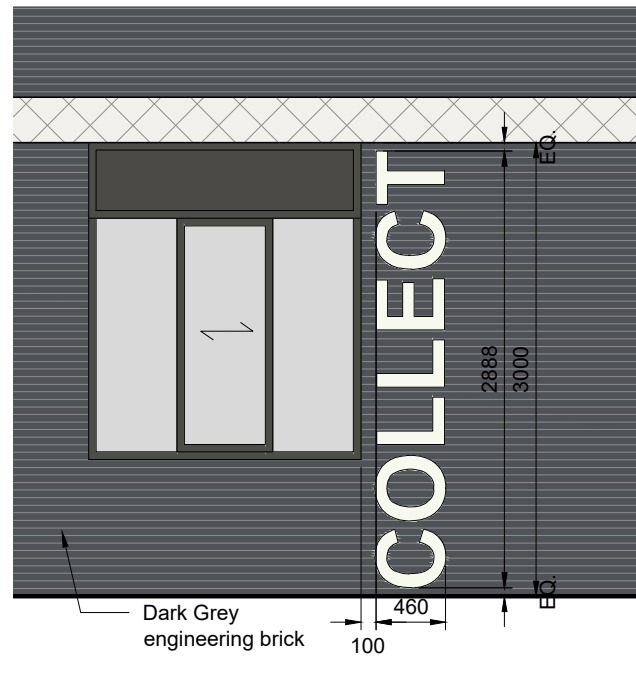
Scurr Architects
 85 Southden Road
 Harpenden
 Hertfordshire
 AL5 1PR
 T: 01582 793999
 email: scurr@scurr.co.uk
 www.scurr.co.uk



Notes:
 All drawings to be read in conjunction with all other drawings as noted on issue sheet.



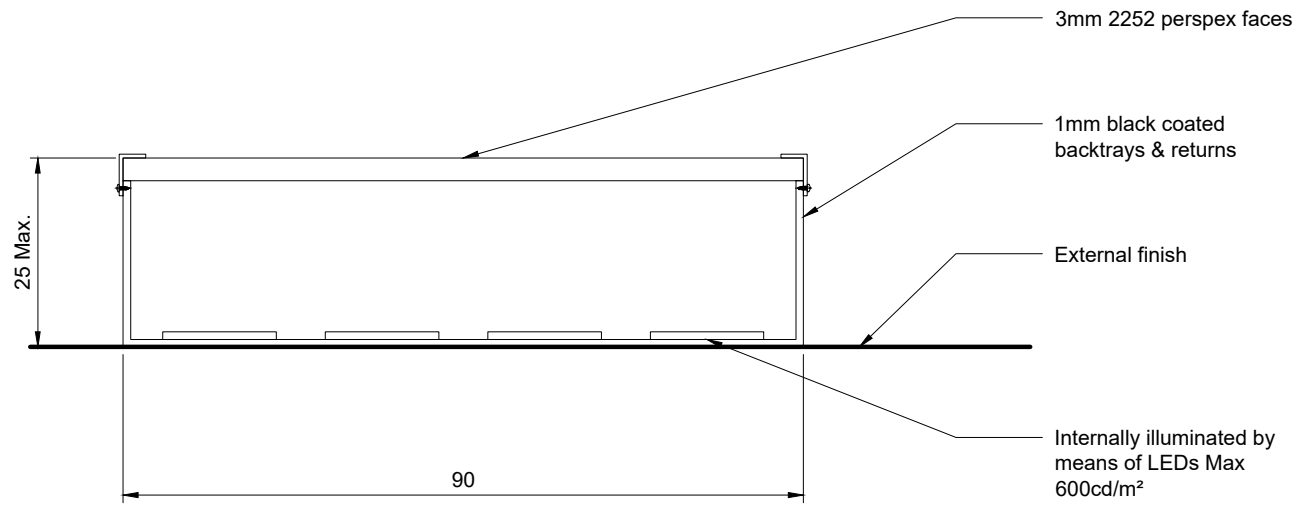
**FAST FORWARD
 COLLECT SIGN**
 NG100, NG140 & NG160



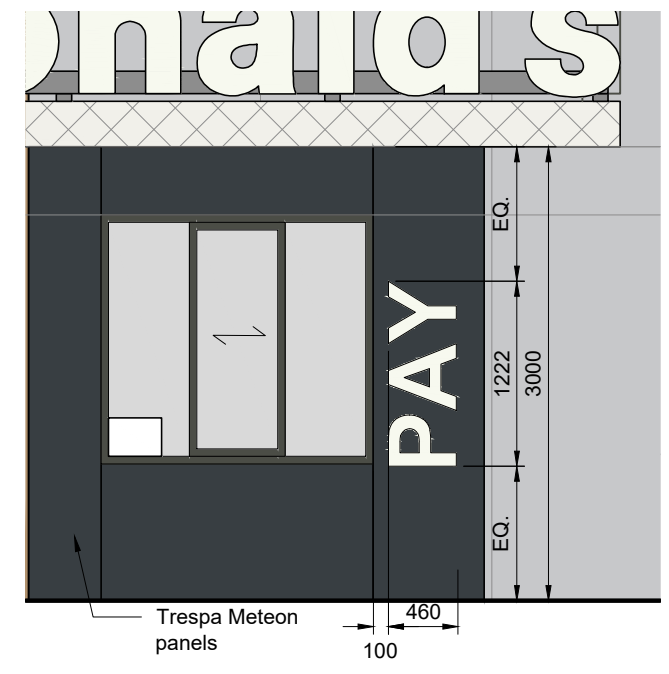
**PRESENTER
 COLLECT SIGN**
 NG100, NG140 & NG160



~~**CASH BOOTH
 PAY SIGN**~~
 NG140



**SECTION
 TYPICAL LETTER**
 1:1



**CASH BOOTH
 PAY SIGN**
 NG100 & NG160

NG100, NG140 & NG160

REV.	DATE	DRAWING REVISIONS	BY	CHECKED
B	01.11.2019	1:50 Scale bar added.	NCC	-
A	20.08.2019	Text amended.	NCC	-

GENERAL NOTES:
 All works are to be undertaken in accordance with the Building Regulations and the latest British Standards.
 All proprietary materials and products are to be used strictly in accordance with the manufacturer's recommendations.
 All dimensions to be checked on site prior to construction.
 All risks assessed to comply with the designer's responsibility under the Construction (Design Management) Regulations 2015.

PROPOSED DEVELOPMENT AT	STORE No :-
	NB0000
	ST0000

ON BEHALF OF :-
 McDonald's Restaurants Ltd

DRAWING TITLE :-
 Drive Thru Signage
 Details

DRAWN BY NCC	CHECKED BY -	DRAWING No. 7655-SA-XXXX-SK42 B
SCALE & SIZE 1:50@A3	DATE Jul 2019	



Scurr Architects
 85 Southden Road
 Harpenden
 Hertfordshire
 AL5 1PR
 T: 01582 793999
 email: scurr@scurr.co.uk
 www.scurr.co.uk

