

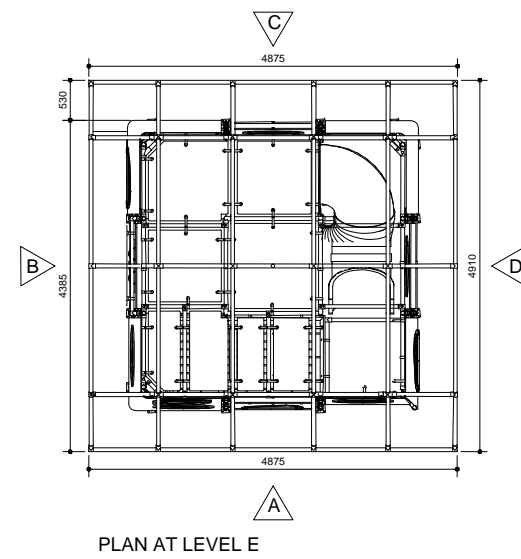
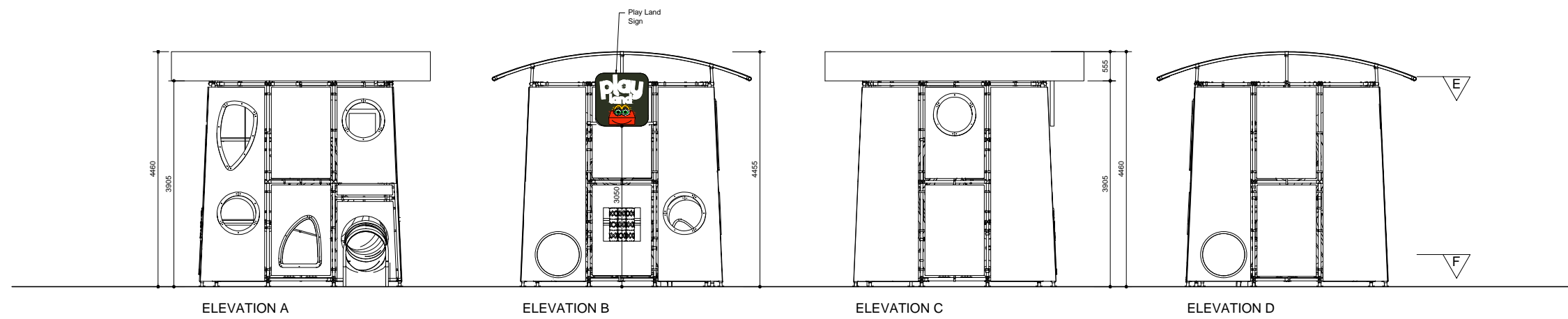


Scurr Architects
 85 Southdown Road
 Harpenden
 Hertfordshire
 AL5 1PR
 T: 01562 793999
 email: scurr@scurr.co.uk
 www.scurr.co.uk

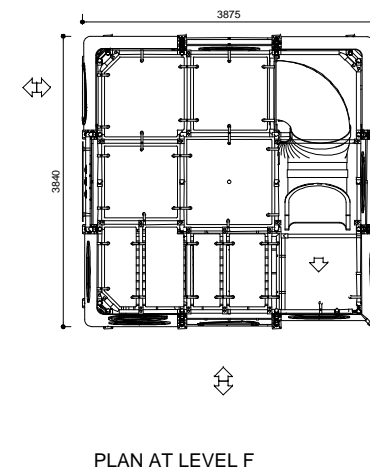


architects ■ designers ■ project managers

Notes:
 All drawings to be read in conjunction with all other drawings as noted on issue sheet.



PLAN AT LEVEL E



PLAN AT LEVEL F

REV.	DATE	DRAWING REVISIONS	BY	CHECKED

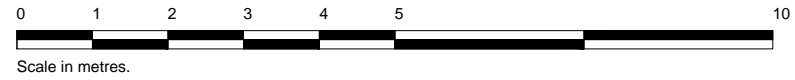
GENERAL NOTES:
 All works are to be undertaken in accordance with the Building Regulations and the latest British Standards.
 All proprietary materials and products are to be used strictly in accordance with the manufacturer's recommendations.
 All dimensions to be checked on site prior to construction.
 All risks assessed to comply with the designer's responsibility under the Construction (Design Management) Regulations 2015.

PROPOSED DEVELOPMENT AT _____ STORE No :- _____

ON BEHALF OF :-
 McDonald's Restaurants Ltd

DRAWING TITLE :-
 Kompan Outdoor Play
 E09-004
 3x3 Play Frame

DRAWN BY JK	CHECKED BY	DRAWING No. 6227-SA-XXXX-OPL3
SCALE & SIZE 1:100@A3	DATE July 2019	



Scale in metres.



Scurr Architects
 85 Southdown Road
 Harpenden
 Hertfordshire
 AL5 1PR
 T: 01562 793999
 email: scurr@scurr.co.uk
 www.scurr.co.uk



architects ■ designers ■ project managers