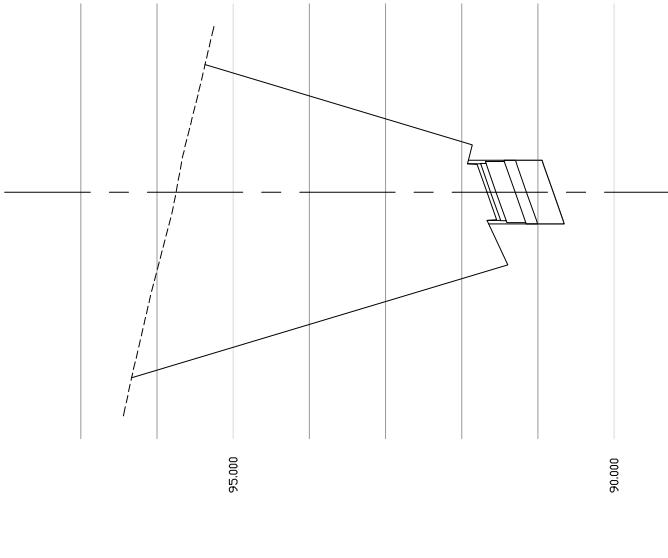


NOTES

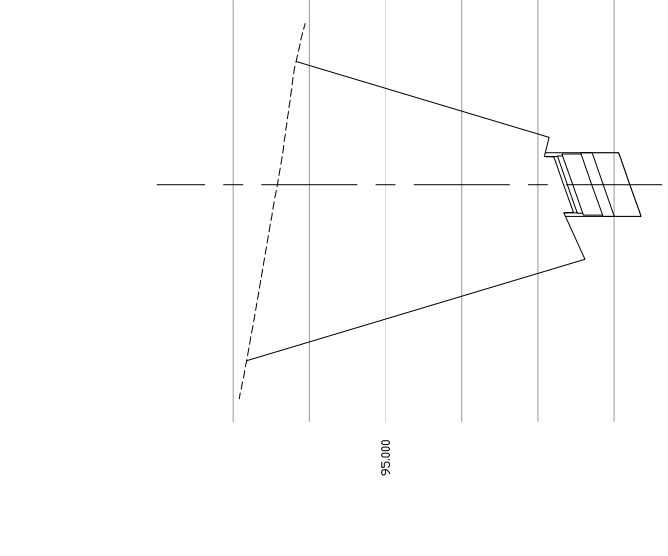
- THIS DRAWING IS TO BE READ IN CONJUNCTION WITH ALL RELEVANT ENGINEERS, ARCHITECTS AND SPECIALISTS DRAWINGS AND THE SPECIFICATION.
- DO NOT SCALE** FROM THIS DRAWING MANUALLY OR ELECTRONICALLY. WRITTEN PERMISSION MUST BE OBTAINED FROM MIM PRIOR TO SCALING ELECTRONICALLY OR USING THIS ELECTRONIC FILE.
- PRELIMINARY DESIGN DETAILS:
 - SINGLE 7.3m WIDE TWO WAY CARRIAGEWAY
 - 2.5m MINIMUM VERGE ON BOTH SIDES OF CARRIAGEWAY
 - 1 IN 3 SLOPES (CUT AND FILL) TO EXISTING GROUND PROFILE
 - 3.5% SUPERELEVATION APPLIED TO TRANSITIONS / CURVES
 - STANDARD 2.5% CAMBER APPLIED TO STRAIGHTS
- SECTIONS BASED ON HORIZONTAL / VERTICAL ALIGNMENT SHOWN ON DRAWINGS 612263/72 TO 78
- FOR TYPICAL CROSS SECTIONS REFER TO DRAWINGS 612263/79



DATUM 89.000

Offset	Ground Level	Feature Level
96.441	96.335	64.379
96.524	96.418	
96.607	96.501	
96.690	96.584	
96.773	96.667	
96.856	96.750	
96.939	96.833	
97.022	96.916	
97.105	97.000	
97.188	97.083	
97.271	97.166	
97.354	97.250	
97.437	97.333	
97.520	97.416	
97.603	97.500	
97.686	97.583	
97.769	97.666	
97.852	97.750	
97.935	97.833	
98.018	97.916	
98.101	98.000	
98.184	98.083	
98.267	98.166	
98.350	98.250	
98.433	98.333	
98.516	98.416	
98.599	98.500	
98.682	98.583	
98.765	98.666	
98.848	98.750	
98.931	98.833	
99.014	98.916	
99.097	99.000	
99.180	99.083	
99.263	99.166	
99.346	99.250	
99.429	99.333	
99.512	99.416	
99.595	99.500	
99.678	99.583	
99.761	99.666	
99.844	99.750	
99.927	99.833	
100.010	99.916	

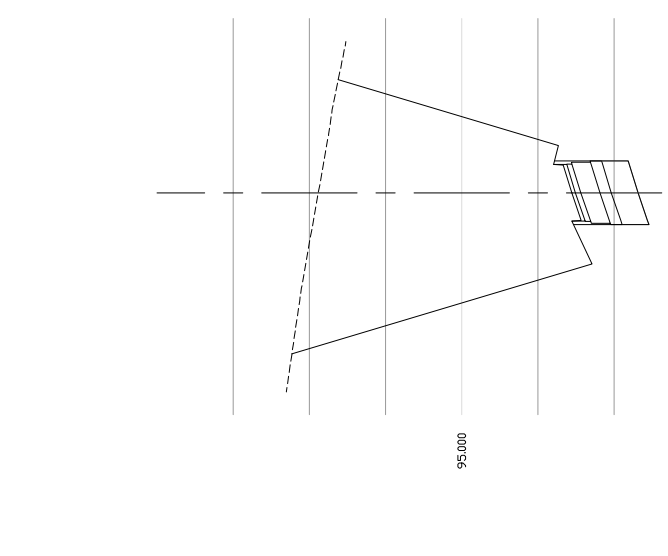
ALIGNMENT RD_1 Change 360.000



DATUM 90.000

Offset	Ground Level	Feature Level
96.923	96.825	23.115
97.006	96.908	
97.089	96.991	9.787
97.172	97.074	
97.255	97.157	
97.338	97.240	
97.421	97.323	
97.504	97.406	
97.587	97.489	
97.670	97.572	
97.753	97.655	
97.836	97.738	
97.919	97.821	
98.002	97.904	
98.085	97.987	
98.168	98.070	
98.251	98.153	
98.334	98.236	
98.417	98.319	
98.500	98.402	
98.583	98.485	
98.666	98.568	
98.749	98.651	
98.832	98.734	
98.915	98.817	
99.000	98.900	
99.083	98.983	
99.166	99.066	
99.249	99.149	
99.332	99.232	
99.415	99.315	
99.498	99.398	
99.581	99.481	
99.664	99.564	
99.747	99.647	
99.830	99.730	
99.913	99.813	
99.996	99.896	
100.079	99.979	

ALIGNMENT RD_1 Change 340.000



DATUM 91.000

Offset	Ground Level	Feature Level
97.230	97.230	21.152
97.313	97.313	
97.396	97.396	
97.479	97.479	
97.562	97.562	
97.645	97.645	
97.728	97.728	
97.811	97.811	
97.894	97.894	
97.977	97.977	
98.060	98.060	
98.143	98.143	
98.226	98.226	
98.309	98.309	
98.392	98.392	
98.475	98.475	
98.558	98.558	
98.641	98.641	
98.724	98.724	
98.807	98.807	
98.890	98.890	
98.973	98.973	
99.056	99.056	
99.139	99.139	
99.222	99.222	
99.305	99.305	
99.388	99.388	
99.471	99.471	
99.554	99.554	
99.637	99.637	
99.720	99.720	
99.803	99.803	
99.886	99.886	
99.969	99.969	
100.052	100.052	

ALIGNMENT RD_1 Change 320.000

