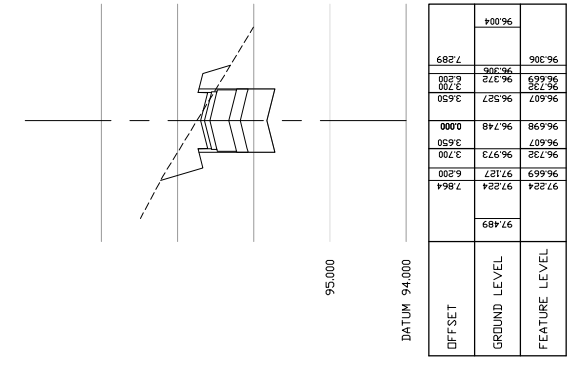
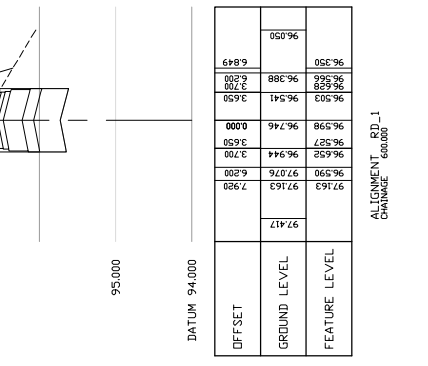
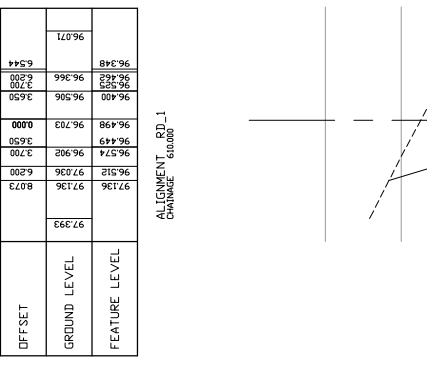
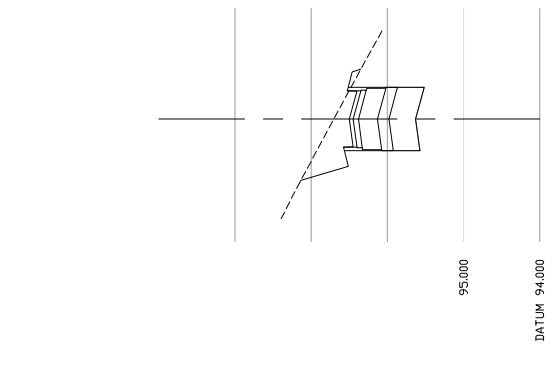
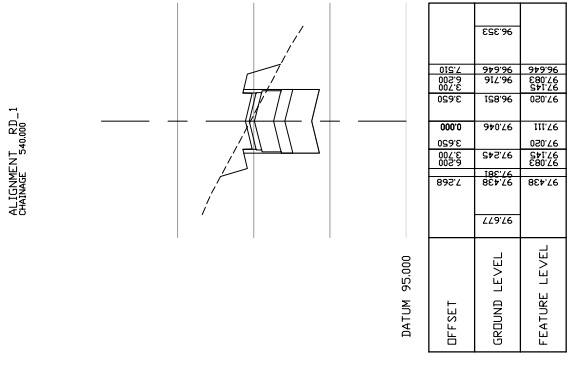
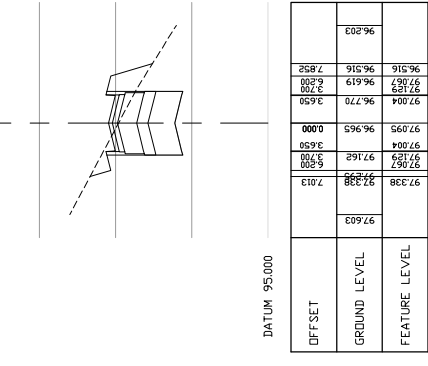
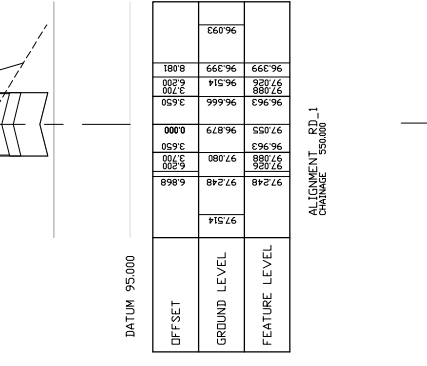
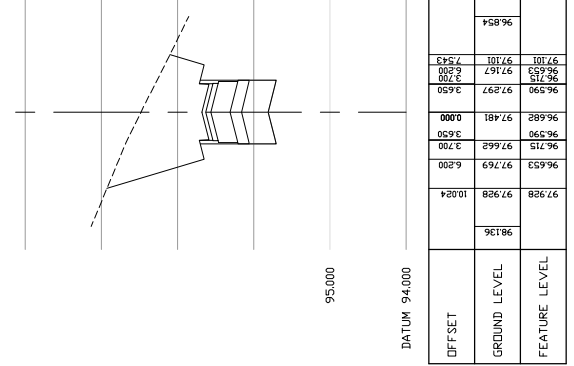
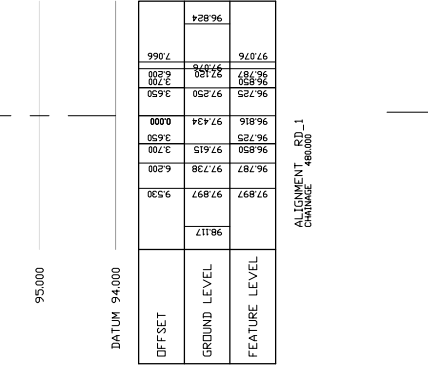
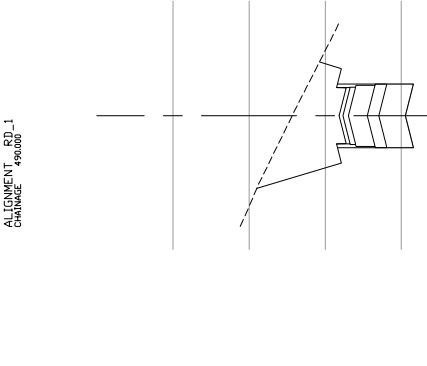
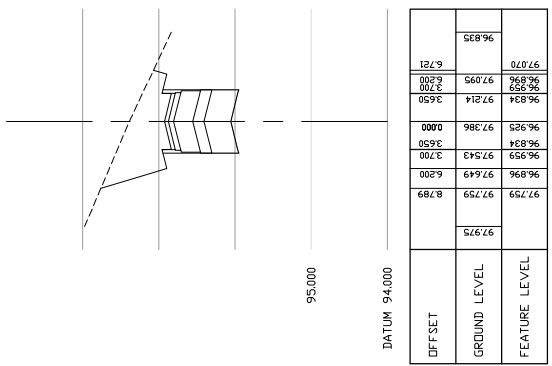


NOTES

1. THIS DRAWING IS TO BE READ IN CONJUNCTION WITH ALL RELEVANT ENGINEERS, ARCHITECTS AND SPECIALISTS DRAWINGS AND THE SPECIFICATION.
2. **DO NOT SCALE** FROM THIS DRAWING MANUALLY OR ELECTRONICALLY. WRITTEN PERMISSION MUST BE OBTAINED FROM MIM PRIOR TO SCALING ELECTRONICALLY OR USING THIS ELECTRONIC FILE.
3. PRELIMINARY DESIGN DETAILS:
 - SINGLE 7.3m WIDE TWO WAY CARRIAGEWAY
 - 2.5m MINIMUM VERGE ON BOTH SIDES OF CARRIAGEWAY
 - 1 IN 3 SLOPES (CUT AND FILL) TO EXISTING GROUND PROFILE
 - 3.5% SUPERELEVATION APPLIED TRANSITIONS / CURVES
4. STANDARD 2.5% CAMBER APPLIED TO STRAIGHTS
5. SECTIONS BASED ON HORIZONTAL / VERTICAL ALIGNMENT SHOWN ON DRAWINGS 612263/72 TO 78
6. FOR TYPICAL CROSS SECTIONS REFER TO DRAWINGS 612263/79



Rev	Date	Description	Made	Checked

Drawing Status: **FOR APPROVAL**

MIM
 Consulting Civil, Structural & Building Services Engineers
 25, London Road, Ipswich, Suffolk IP1 2HF
 Tel: 01473 231100 Fax: 01473 231515
 Website: www.mim.uk.com
 Ashford * Cambridge * Chelmsford * London * Norwich.

BIDWELLS PROPERTY CONSULTANTS, TRUMPINGTON CAMBRIDGE CB2 9LD

Project: **NORTH WEST HAVERHILL LAND OWNERS CONSORTIUM NORTH WEST HAVERHILL RELIEF ROAD**

Drawing Title: **CROSS SECTIONS**
 CHANGING 470m TO 610m (BASED ON A 85KPH DESIGN SPEED WITH DEPARTURES)

SHEET 6 OF 16

Drawn/Design	Checked	Job	Approved	RAE	Date
					11.02.09

Drawing No. **612263/85**

Rev **P1**