

NOTES

1. THIS DRAWING IS TO BE READ IN CONJUNCTION WITH ALL RELEVANT ENGINEERS, ARCHITECTS AND SPECIALISTS DRAWINGS AND THE SPECIFICATION.
2. **DO NOT SCALE** FROM THIS DRAWING MANUALLY OR ELECTRONICALLY. WRITTEN PERMISSION MUST BE OBTAINED FROM MIM PRIOR TO SCALING ELECTRONICALLY OR USING THIS ELECTRONIC FILE.
3. PRELIMINARY DESIGN DETAILS:
 - SINGLE 7.3m WIDE TWO WAY CARRIAGEWAY
 - 2.5m MINIMUM VERGE ON BOTH SIDES OF CARRIAGEWAY
 - 1 IN 3 SLOPES (CUT AND FILL) TO EXISTING GROUND PROFILE
- 3.5% SUPERELEVATION APPLIED TRANSITIONS / CURVES
- STANDARD 2.5% CAMBER APPLIED TO STRAIGHTS
4. SECTIONS BASED ON HORIZONTAL / VERTICAL ALIGNMENT SHOWN ON DRAWINGS 612263/72 TO 78
5. FOR TYPICAL CROSS SECTIONS REFER TO DRAWINGS 612263/79

Rev	Date	Description	Made	Checked

FOR APPROVAL



Consulting Civil, Structural & Building Services Engineers
 25, London Road, Ipswich, Suffolk IP1 2HF
 Tel: 01473 231100 Fax: 01473 231515
 Website: www.mim.co.uk

Ashford * Cambridge * Chelmsford * London * Norwich.

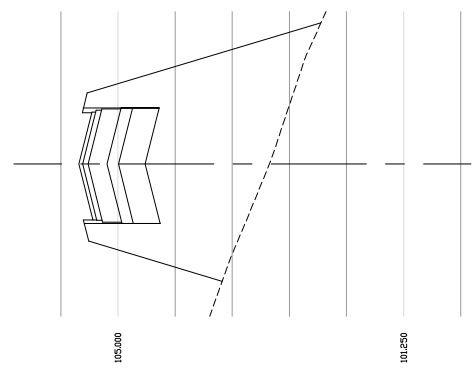
BIDWELLS PROPERTY CONSULTANTS, TRUMPINGTON CAMBRIDGE CB2 9LD

Project
 NORTH WEST HAVERHILL LAND OWNERS CONSORTIUM NORTH WEST HAVERHILL RELIEF ROAD

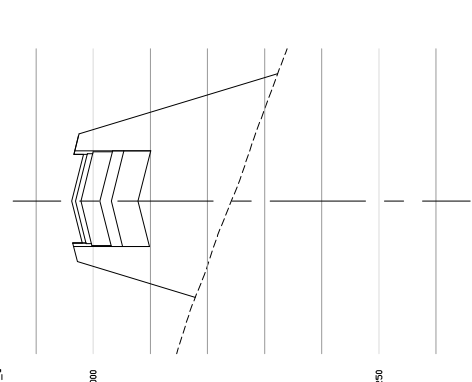
Drawing Title
 CROSS SECTIONS
 CHAINAGE 1120m TO 1210m (BASED ON A 85KPH DESIGN SPEED WITH DEPARTURES)
 SHEET 11 OF 16

Drawn/Design	Checked	Job	Approved	RSE	Date
					11.02.09

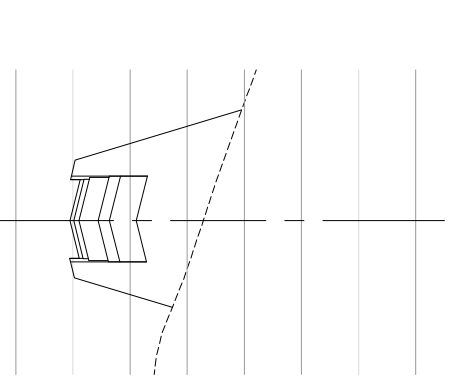
Scale: 1:1000
 Drawing No: **612263/90**
 Rev: **P1**



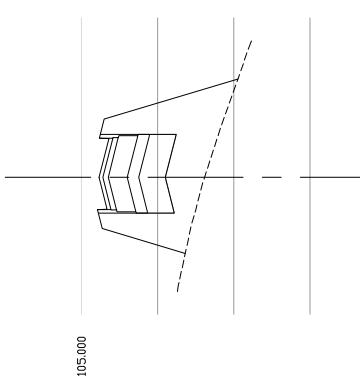
Offset	Ground Level	Feature Level
0.000	103.795	103.621
3.847	103.424	103.330
10.000	103.014	102.930
20.000	102.674	102.544
30.000	102.271	102.136
40.000	101.855	101.720



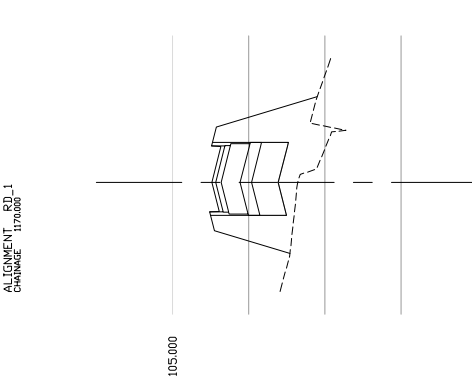
Offset	Ground Level	Feature Level
0.000	103.906	103.660
7.388	103.555	103.355
10.000	103.187	102.988
20.000	102.827	102.628
30.000	102.456	102.257
40.000	102.079	101.880



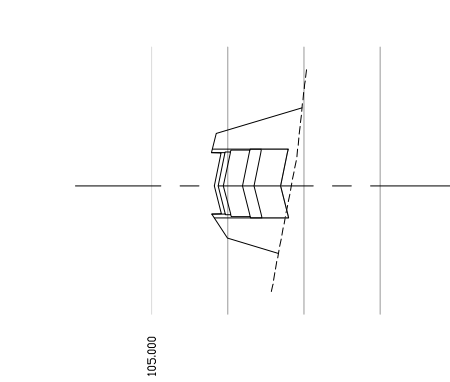
Offset	Ground Level	Feature Level
0.000	103.931	103.695
8.837	103.649	103.347
10.000	103.295	102.993
20.000	102.935	102.633
30.000	102.571	102.269
40.000	102.201	101.900



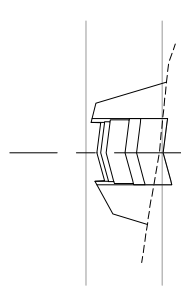
Offset	Ground Level	Feature Level
0.000	104.724	104.536
4.718	104.395	104.207
4.168	104.061	103.873
0.000	103.728	103.540
10.000	103.316	103.128
20.000	102.905	102.717
30.000	102.494	102.306
40.000	102.083	101.895



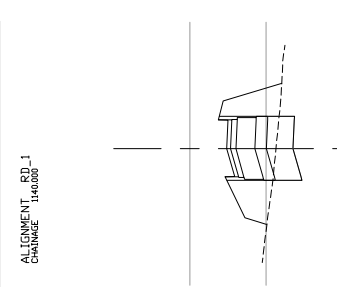
Offset	Ground Level	Feature Level
0.000	104.447	104.259
9.336	104.118	103.910
10.000	103.789	103.561
20.000	103.460	103.232
30.000	103.131	102.903
40.000	102.802	102.574



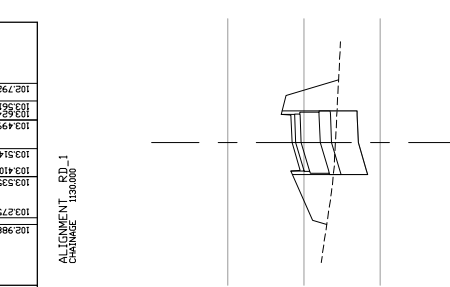
Offset	Ground Level	Feature Level
0.000	104.082	103.894
3.788	103.753	103.545
10.000	103.424	103.216
20.000	103.095	102.887
30.000	102.766	102.558
40.000	102.437	102.229



Offset	Ground Level	Feature Level
0.000	103.584	103.396
3.650	103.255	103.047
2.700	102.926	102.698
0.000	102.597	102.349
10.000	102.186	101.938
20.000	101.775	101.527
30.000	101.364	101.116
40.000	100.953	100.705



Offset	Ground Level	Feature Level
0.000	103.410	103.222
3.650	103.081	102.873
3.700	102.752	102.524
0.000	102.423	102.175
10.000	102.012	101.764
20.000	101.601	101.353
30.000	101.190	100.942
40.000	100.779	100.531



Offset	Ground Level	Feature Level
0.000	103.172	102.984
3.700	102.843	102.635
3.650	102.514	102.286
0.000	102.185	101.937
10.000	101.774	101.526
20.000	101.363	101.115
30.000	100.952	100.704
40.000	100.541	100.293