

NOTES

1. THIS DRAWING IS TO BE READ IN CONJUNCTION WITH ALL RELEVANT ENGINEERS, ARCHITECTS AND SPECIALISTS DRAWINGS AND THE SPECIFICATION.
2. **DO NOT SCALE** FROM THIS DRAWING MANUALLY OR ELECTRONICALLY. WRITTEN PERMISSION MUST BE OBTAINED FROM MUM PRIOR TO SCALING ELECTRONICALLY OR USING THIS ELECTRONIC FILE.
3. PRELIMINARY DESIGN DETAILS:
 - SINGLE 7.3m WIDE TWO WAY CARRIAGEWAY
 - 2.5m MINIMUM VERGE ON BOTH SIDES OF CARRIAGEWAY
 - 1 IN 3 SLOPES (CUT AND FILL) TO EXISTING GROUND PROFILE
 - 3.5% SUPERELEVATION APPLIED TRANSITIONS / CURVES
 - STANDARD 2.5% CAMBER APPLIED TO STRAIGHTS
4. SECTIONS BASED ON HORIZONTAL / VERTICAL ALIGNMENT SHOWN ON DRAWINGS 612263/72 TO 78
5. FOR TYPICAL CROSS SECTIONS REFER TO DRAWINGS 612263/79

Rev	Date	Description	Made	Checked

Drawing Status:

FOR APPROVAL



Consulting Civil, Structural & Building Services Engineers
 25, London Road, Ipswich, Suffolk IP1 2HF
 Tel: 01473 231100 Fax: 01473 231515
 Website: www.mum.co.uk

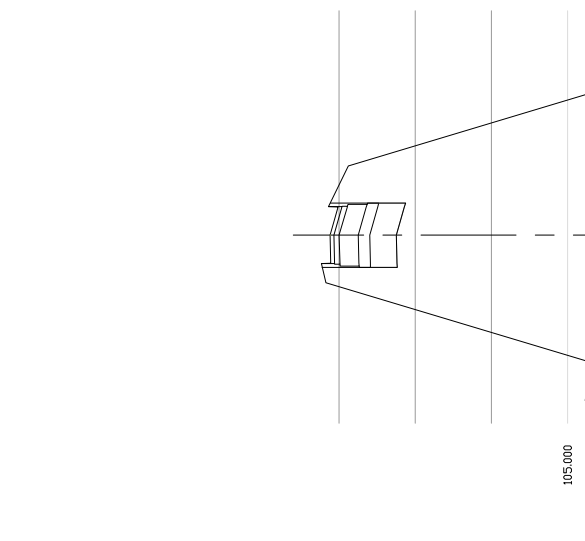
Client: Ashford * Cambridge * Chelmsford * London * Norwich.

BIDWELLS PROPERTY CONSULTANTS, TRUMPINGTON CAMBRIDGE CB2 9LD

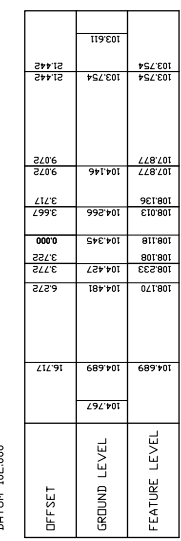
Project: **NORTH WEST HAVERHILL LAND OWNERS CONSORTIUM NORTH WEST HAVERHILL RELIEF ROAD**

Drawing Title: **CROSS SECTIONS**
 CHAINAGE 1270m TO 1330m (BASED ON A 85KPH DESIGN SPEED WITH DEPARTURES)
 SHEET 12 OF 16

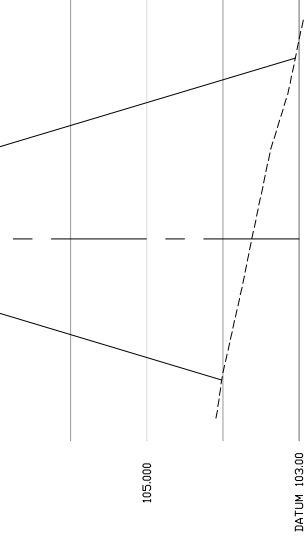
Drawn/Design	CBP/JJB	Checked	JJB	Approved	RAE	Date	11.02.09
Drawing No. 612263/91							Rev
Scale							Respectively @ A1, A2, A3



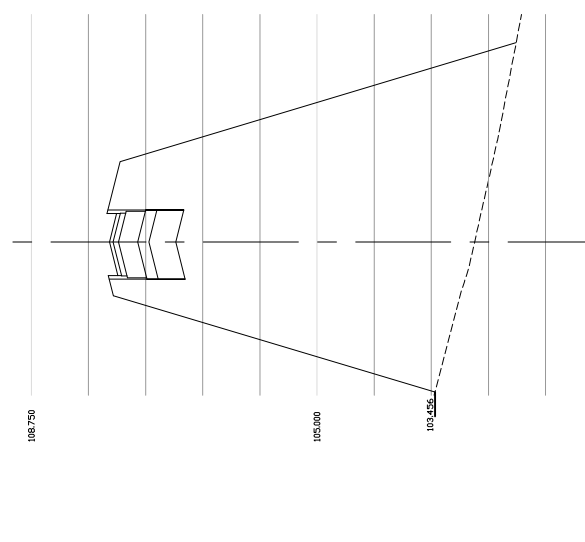
Offset	Ground Level	Feature Level
0.000	103.456	103.456
0.430	103.201	103.201
10.000	102.616	102.616
20.000	102.935	102.935
30.000	102.711	102.711
40.000	102.906	102.906
50.000	102.316	102.316



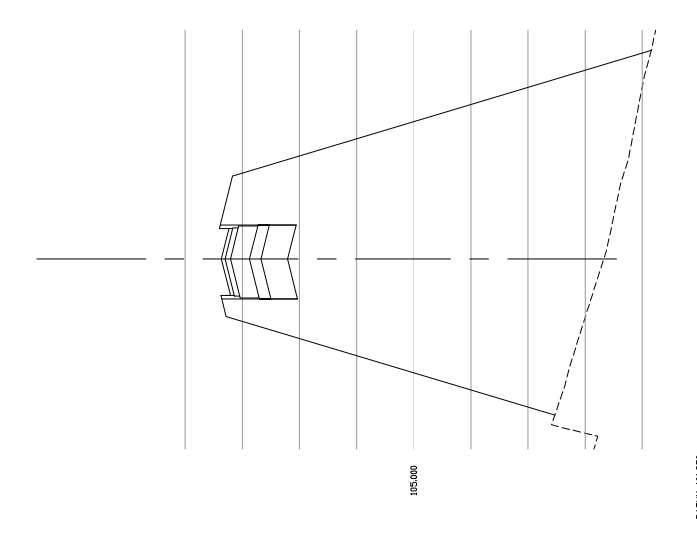
Offset	Ground Level	Feature Level
0.000	104.689	104.689
16.217	104.767	104.767
6.272	104.481	104.481
3.772	104.427	104.427
0.000	104.345	104.345
108.108	108.233	108.233
3.722	108.118	108.118
0.000	108.118	108.118
3.273	108.186	108.186
9.266	107.877	107.877
9.266	104.146	104.146
9.272	107.877	107.877
21.442	103.754	103.754
21.442	103.611	103.611



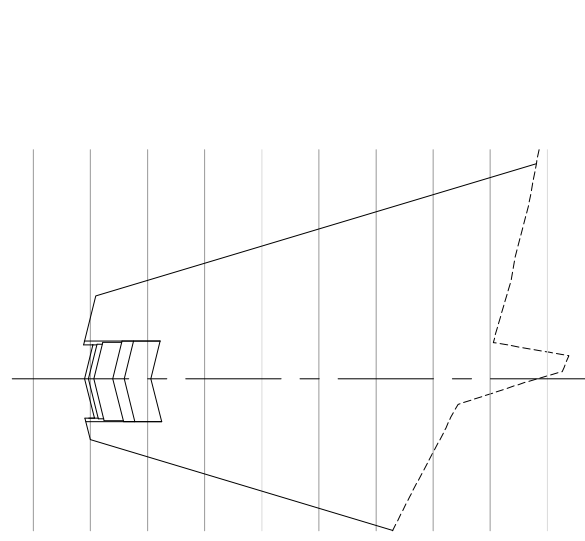
Offset	Ground Level	Feature Level
0.000	104.015	104.015
18.513	104.015	104.015
6.525	103.752	103.752
4.025	103.701	103.701
3.373	103.701	103.701
108.073	108.073	108.073
3.273	107.926	107.926
0.000	107.926	107.926
3.273	107.816	107.816
3.273	103.542	103.542
9.266	107.340	107.340
9.266	103.410	103.410
9.266	107.659	107.659
23.758	103.049	103.049
23.758	102.945	102.945



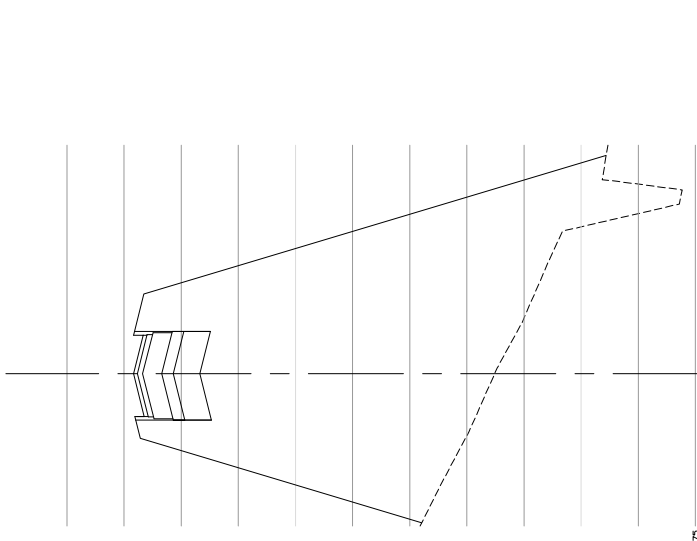
Offset	Ground Level	Feature Level
0.000	103.456	103.456
0.430	103.201	103.201
10.000	102.616	102.616
20.000	102.935	102.935
30.000	102.711	102.711
40.000	102.906	102.906
50.000	102.316	102.316



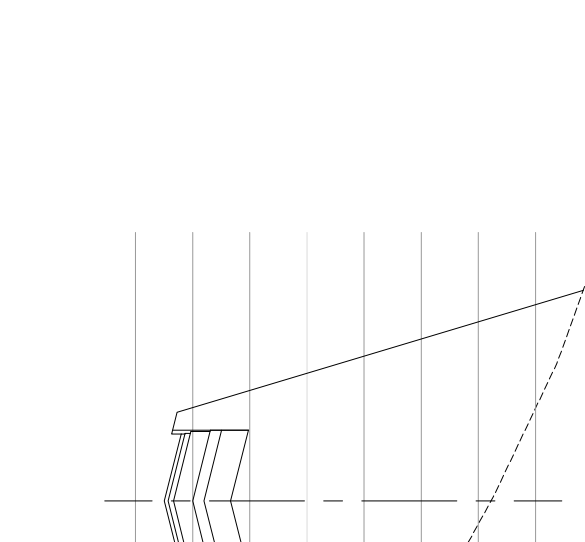
Offset	Ground Level	Feature Level
0.000	102.634	102.634
2.930	103.146	103.146
10.000	102.973	102.973
20.000	102.663	102.663
20.000	102.827	102.827
30.000	102.386	102.386
40.000	102.145	102.145
50.000	101.944	101.944
50.000	101.825	101.825



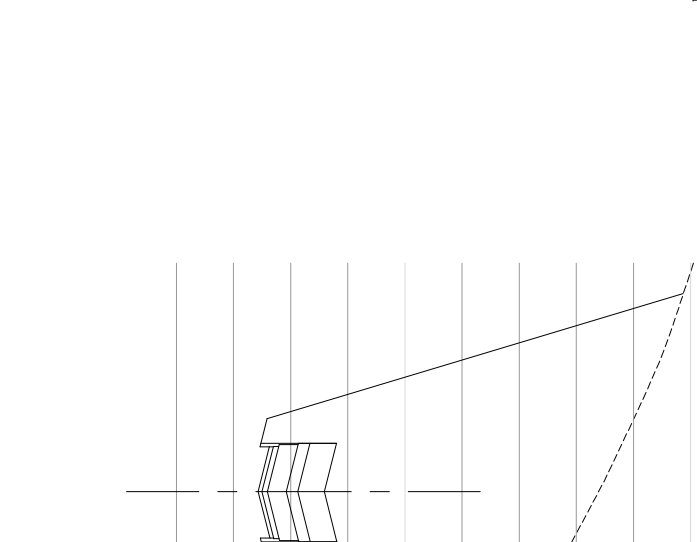
Offset	Ground Level	Feature Level
0.000	103.283	103.283
0.253	103.281	103.281
10.000	102.766	102.766
10.000	102.197	102.197
20.000	102.286	102.286
20.000	102.215	102.215
30.000	101.810	101.810
40.000	101.567	101.567
50.000	101.361	101.361



Offset	Ground Level	Feature Level
0.000	103.364	103.364
0.444	103.343	103.343
10.000	102.851	102.851
10.000	106.986	106.986
20.000	102.386	102.386
20.000	106.997	106.997
30.000	101.884	101.884
40.000	100.941	100.941
50.000	100.900	100.900



Offset	Ground Level	Feature Level
0.000	103.609	103.609
1.340	103.609	103.609
10.000	103.133	103.133
10.000	106.724	106.724
20.000	102.384	102.384
20.000	106.871	106.871
30.000	102.183	102.183
40.000	101.649	101.649
50.000	101.288	101.288
50.000	101.095	101.095



Offset	Ground Level	Feature Level
0.000	103.315	103.315
0.907	103.454	103.454
10.000	102.991	102.991
10.000	106.774	106.774
20.000	102.458	102.458
20.000	106.525	106.525
30.000	101.976	101.976
40.000	101.548	101.548
50.000	101.213	101.213