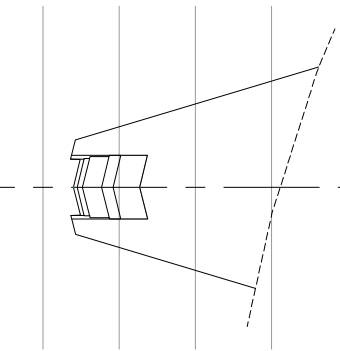


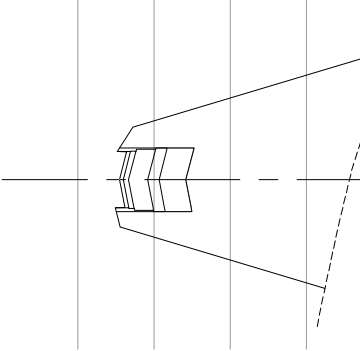
**NOTES**

1. THIS DRAWING IS TO BE READ IN CONJUNCTION WITH ALL RELEVANT ENGINEERS, ARCHITECTS AND SPECIALISTS DRAWINGS AND THE SPECIFICATION.
2. **DO NOT SCALE** FROM THIS DRAWING MANUALLY OR ELECTRONICALLY. WRITTEN PERMISSION MUST BE OBTAINED FROM MIM PRIOR TO SCALING ELECTRONICALLY OR USING THIS ELECTRONIC FILE.
3. PRELIMINARY DESIGN DETAILS:
  - SINGLE 7.3m WIDE TWO WAY CARRIAGEWAY
  - 2.5m MINIMUM VERGE ON BOTH SIDES OF CARRIAGEWAY
  - 1 IN 3 SLOPES (CUT AND FILL) TO EXISTING GROUND PROFILE
  - 3.5% SUPERELEVATION APPLIED TRANSITIONS / CURVES
4. STANDARD 2.5% CAMBER APPLIED TO STRAIGHTS
5. SECTIONS BASED ON HORIZONTAL / VERTICAL ALIGNMENT SHOWN ON DRAWINGS 612263/72 TO 78
6. FOR TYPICAL CROSS SECTIONS REFER TO DRAWINGS 612263/79



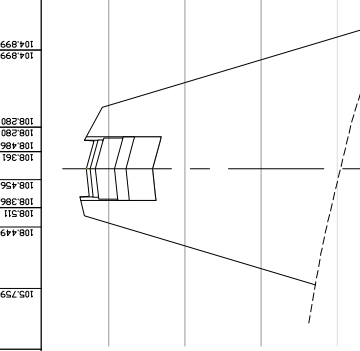
OFFSET	GROUND LEVEL	FEATURE LEVEL
105.167		
105.382	105.382	15.783
105.429	105.429	3.650
105.476	105.489	6.200
105.514	105.770	3.650
105.551	105.887	0.000
105.588	106.000	3.700
105.625	106.050	6.200
105.662	106.211	13.886
105.699	106.320	

ALIGNMENT RD\_2  
CHANGE 136000



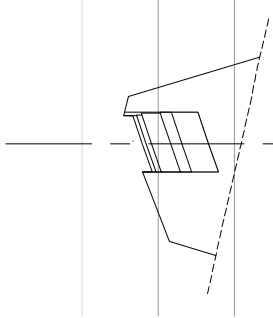
OFFSET	GROUND LEVEL	FEATURE LEVEL
104.799		
104.899	104.899	17.043
104.946	104.946	6.900
104.993	105.230	3.100
105.040	105.332	3.650
105.087	105.437	0.000
105.134	105.526	3.650
105.181	105.585	6.200
105.228	105.759	14.688
105.275	105.858	

ALIGNMENT RD\_2  
CHANGE 136000



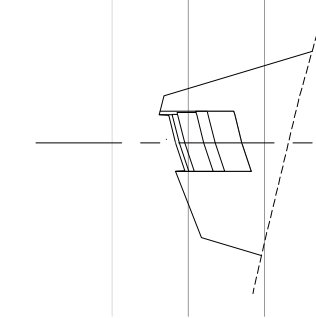
OFFSET	GROUND LEVEL	FEATURE LEVEL
104.899		
104.979	104.979	19.159
105.059	104.752	8.443
105.139	104.870	3.100
105.219	104.977	0.000
105.299	105.045	3.650
105.379	105.104	6.190
105.459	105.287	15.882
105.539	105.374	

ALIGNMENT RD\_2  
CHANGE 137000



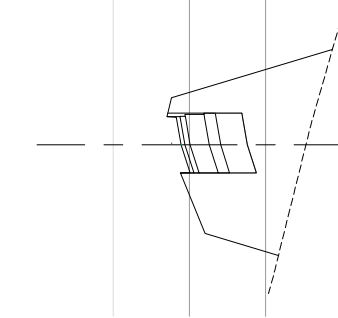
OFFSET	GROUND LEVEL	FEATURE LEVEL
107.550		
107.668	107.668	11.376
107.786	107.775	6.200
107.904	107.889	3.650
108.022	107.913	0.000
108.140	107.997	3.700
108.258	108.244	14.550
108.376	108.295	18.825

ALIGNMENT RD\_2  
CHANGE 140000



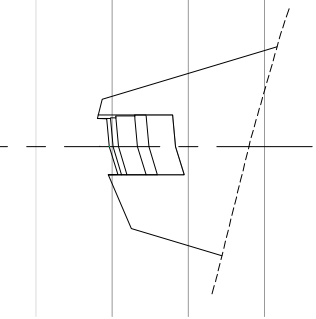
OFFSET	GROUND LEVEL	FEATURE LEVEL
107.233		
107.375	107.375	12.038
107.517	107.538	6.200
107.659	107.661	3.650
107.801	107.687	0.000
107.943	107.776	3.700
108.085	107.985	12.402
108.227	108.041	14.759
108.369	108.134	

ALIGNMENT RD\_2  
CHANGE 140000



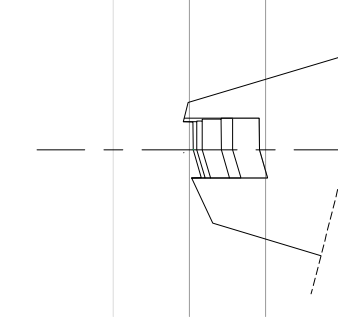
OFFSET	GROUND LEVEL	FEATURE LEVEL
106.980		
107.123	107.123	12.535
107.265	107.305	6.200
107.407	107.378	3.650
107.549	107.471	0.000
107.691	107.563	3.650
107.833	107.761	11.621
107.975	107.832	14.507
108.117	107.964	

ALIGNMENT RD\_2  
CHANGE 140000



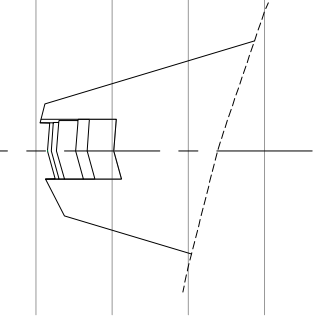
OFFSET	GROUND LEVEL	FEATURE LEVEL
106.679		
106.836	106.836	13.091
106.993	107.033	6.200
107.150	107.186	3.650
107.307	107.205	0.000
107.464	107.297	3.700
107.621	107.471	10.755
107.778	107.560	14.325
107.935	107.689	

ALIGNMENT RD\_2  
CHANGE 140000



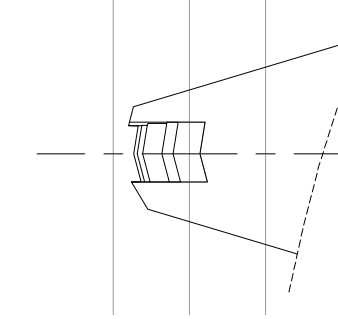
OFFSET	GROUND LEVEL	FEATURE LEVEL
106.319		
106.488	106.488	13.785
106.657	106.743	6.200
106.826	106.818	3.650
106.995	106.921	0.000
107.164	107.015	3.650
107.333	107.165	9.679
107.502	107.274	13.898
107.671	107.403	

ALIGNMENT RD\_2  
CHANGE 140000



OFFSET	GROUND LEVEL	FEATURE LEVEL
105.951		
106.132	106.132	14.437
106.313	106.413	6.200
106.494	106.500	3.650
106.675	106.618	0.000
106.856	106.711	3.700
107.037	106.832	8.505
107.218	106.959	13.512
107.400	107.074	

ALIGNMENT RD\_2  
CHANGE 136000



OFFSET	GROUND LEVEL	FEATURE LEVEL
105.954		
106.135	106.135	15.154
106.316	106.404	6.200
106.497	106.497	3.650
106.678	106.591	0.000
106.859	106.684	3.650
107.040	106.787	7.443
107.221	106.884	13.134
107.402	106.994	

ALIGNMENT RD\_2  
CHANGE 137000

Rev	Date	Description	Made	Checked

Drawing Status: **FOR APPROVAL**



**MIM**  
Consulting Civil, Structural & Building Services Engineers  
25, London Road, Ipswich, Suffolk IP1 2HF  
Tel: 01473 231100 Fax: 01473 231515  
Website: www.mim.uk.com  
Ashford \* Cambridge \* Chelmsford \* London \* Norwich.

**BIDWELLS PROPERTY CONSULTANTS, TRUMPINGTON CAMBRIDGE CB2 9LD**

**NORTH WEST HAVERHILL LAND OWNERS CONSORTIUM NORTH WEST HAVERHILL RELIEF ROAD**

**CROSS SECTIONS**  
CHAINAGE 1340m TO 1430m (BASED ON A 85KPH DESIGN SPEED WITH DEPARTURES)  
SHEET 13 OF 16

Drawn/Design	Checked	CBP/Job	Approved	Job	Rev	Date
						11.02.09

612263/92

P1